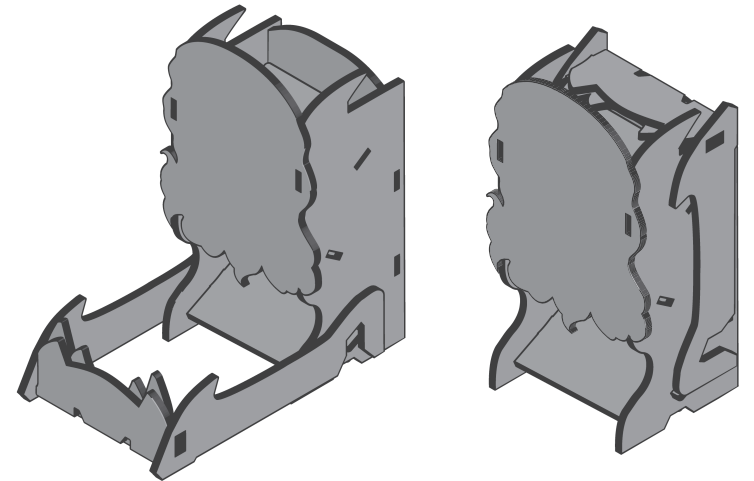
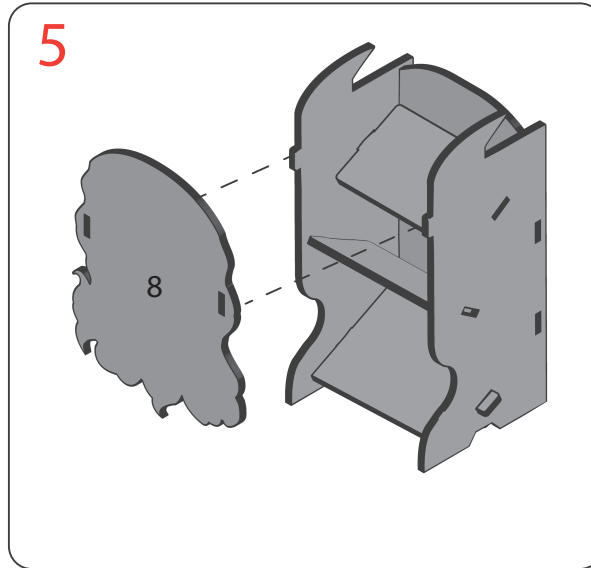
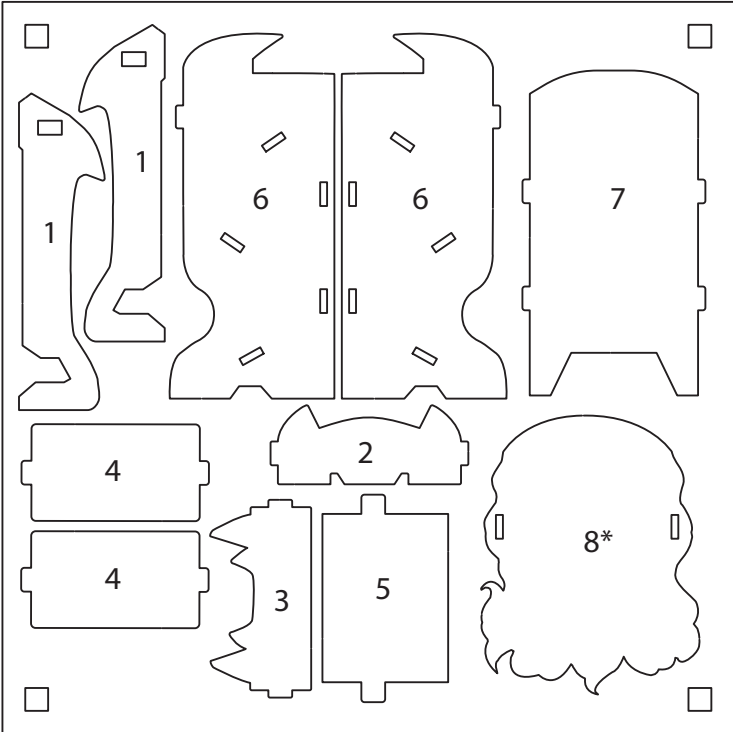
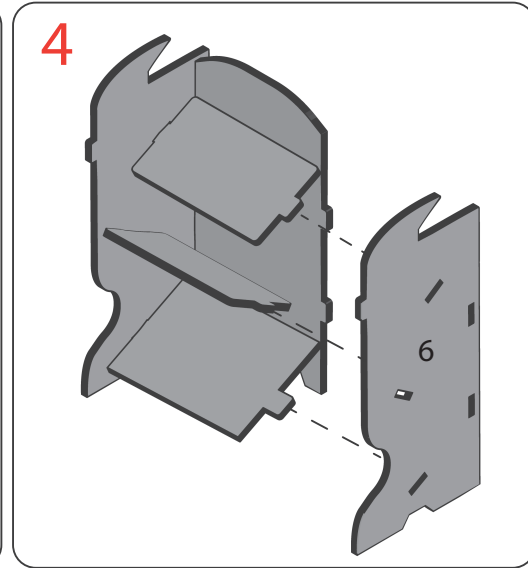
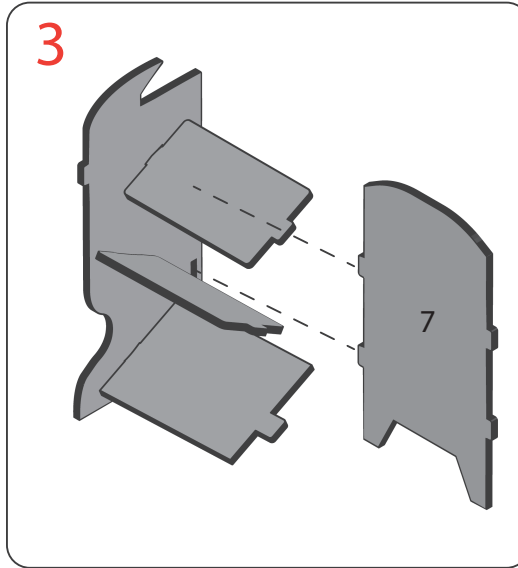
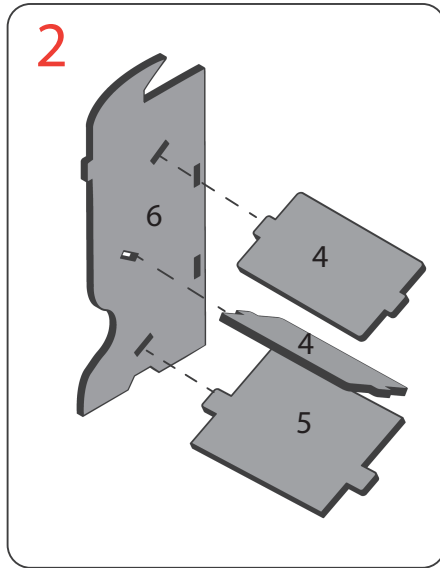
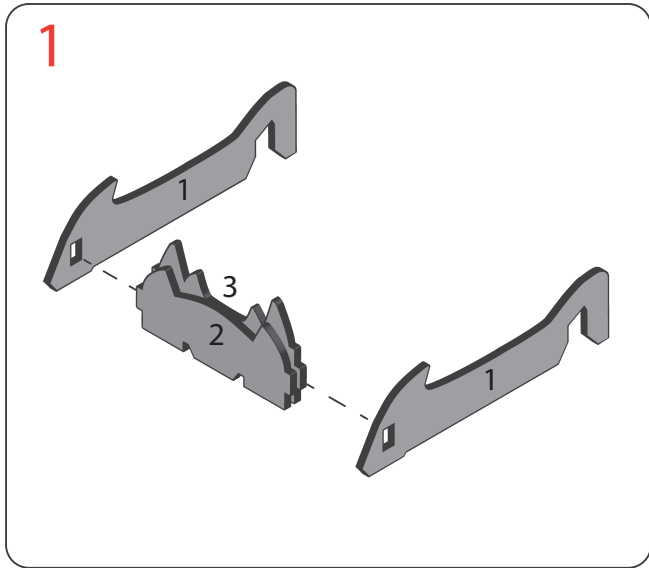


 Use glue on the connecting openings



Please remove elements out of frame carefully.
It is recommended to use a blade at the cutline to punch the element out of the sheet easier



*The shape of element 8 differs depending on design