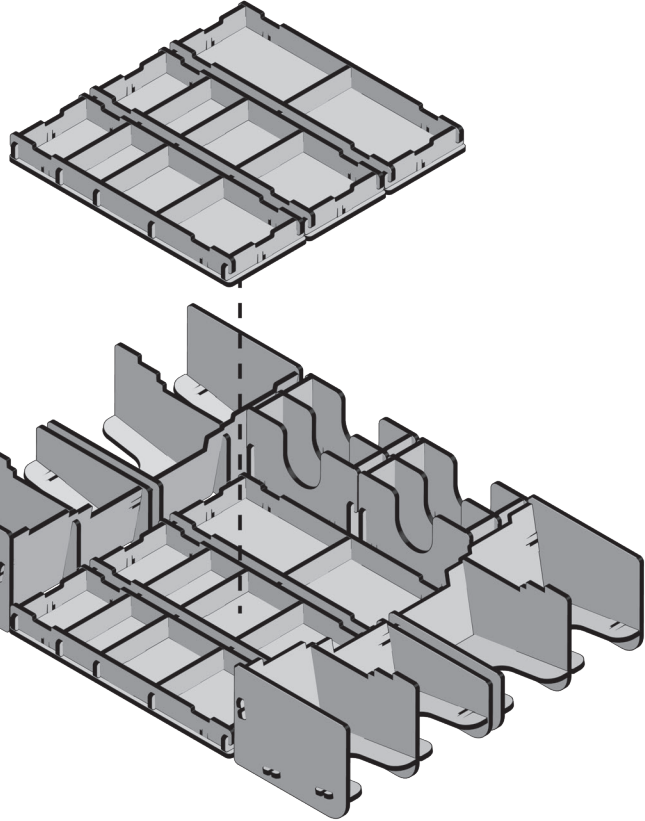
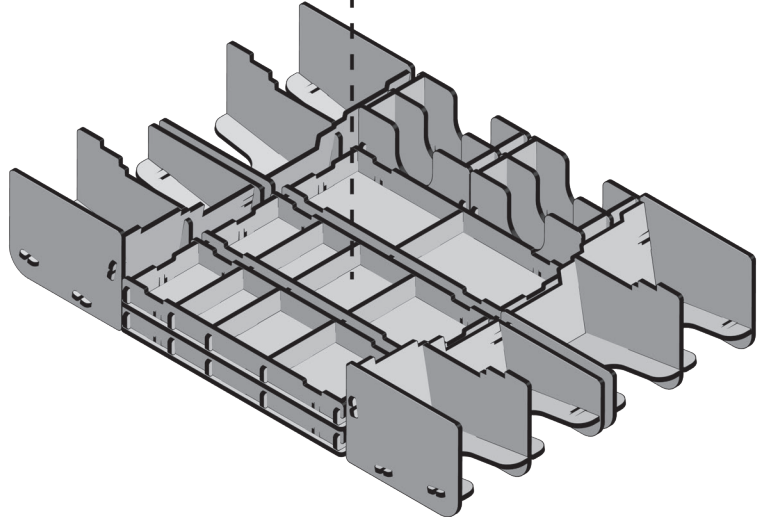
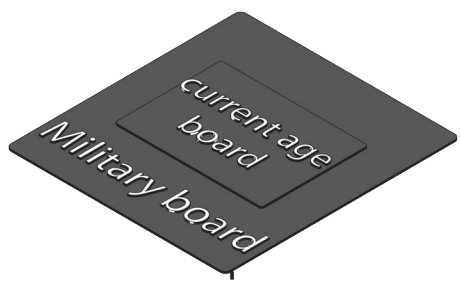


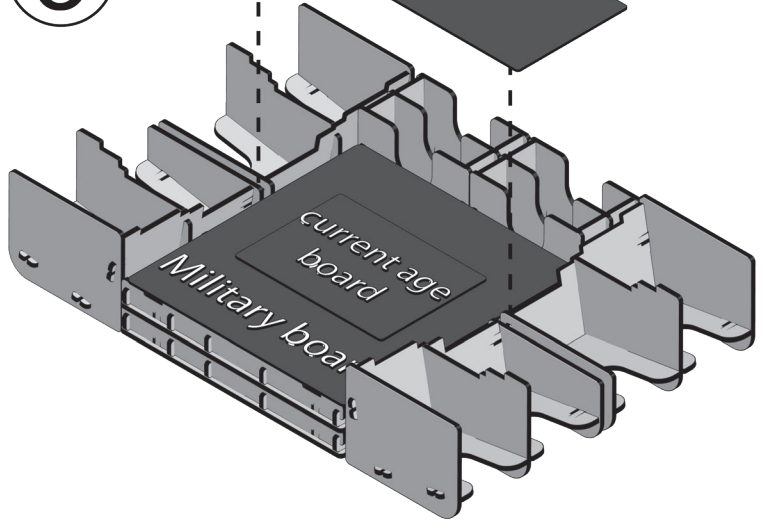
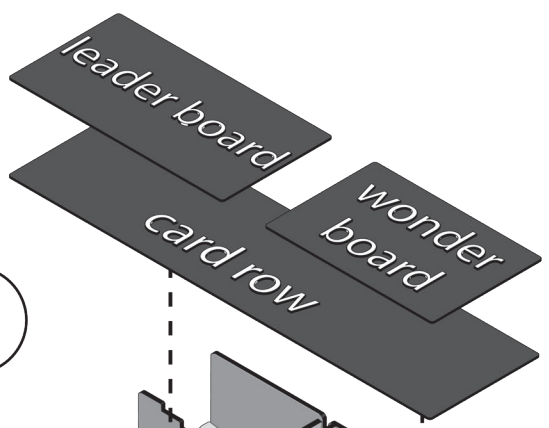
1



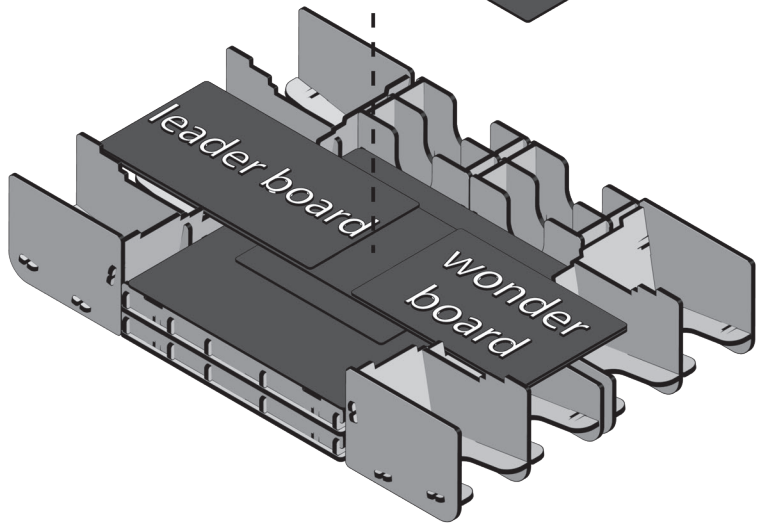
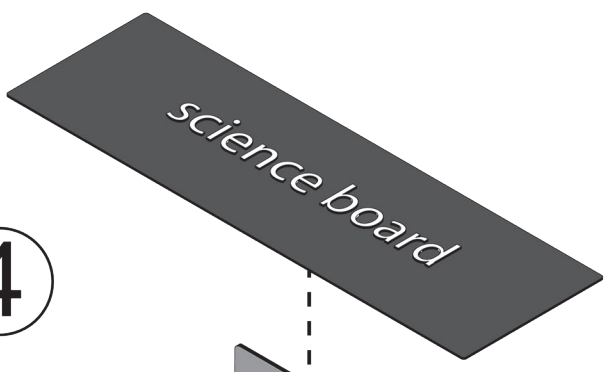
2



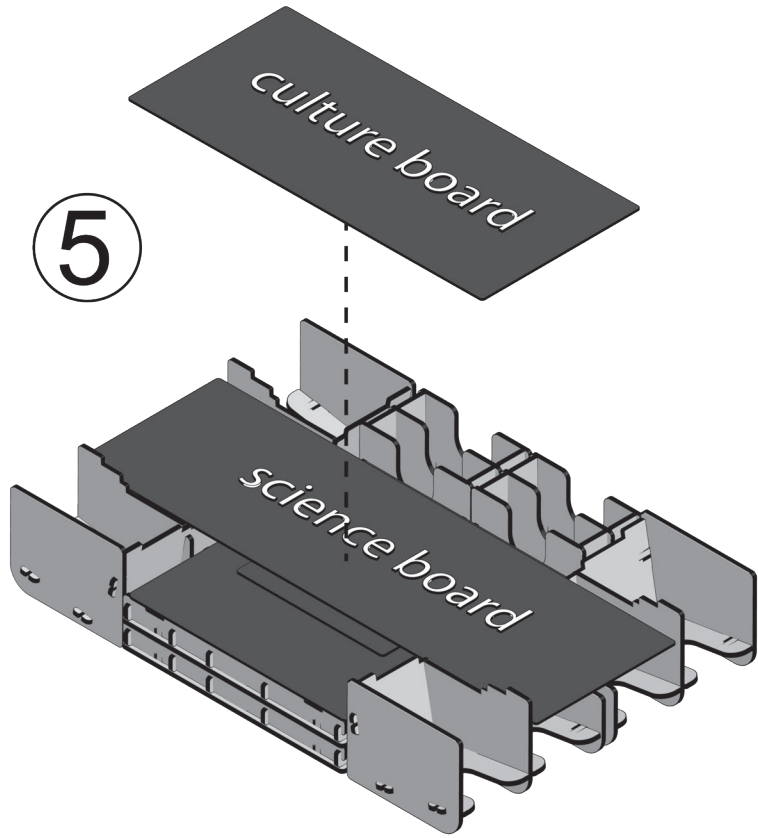
3



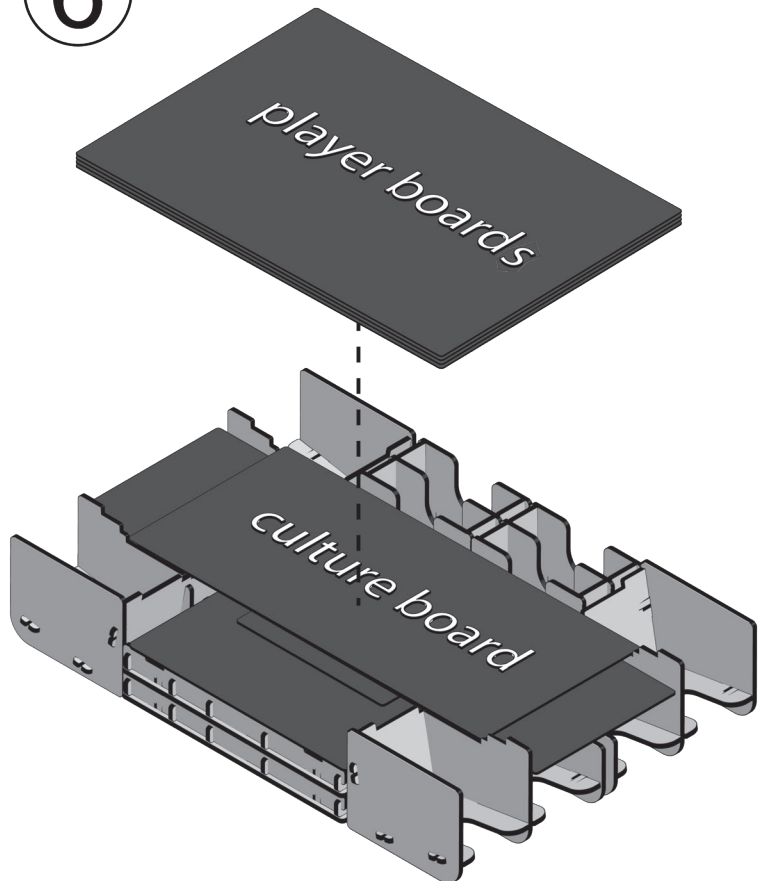
4



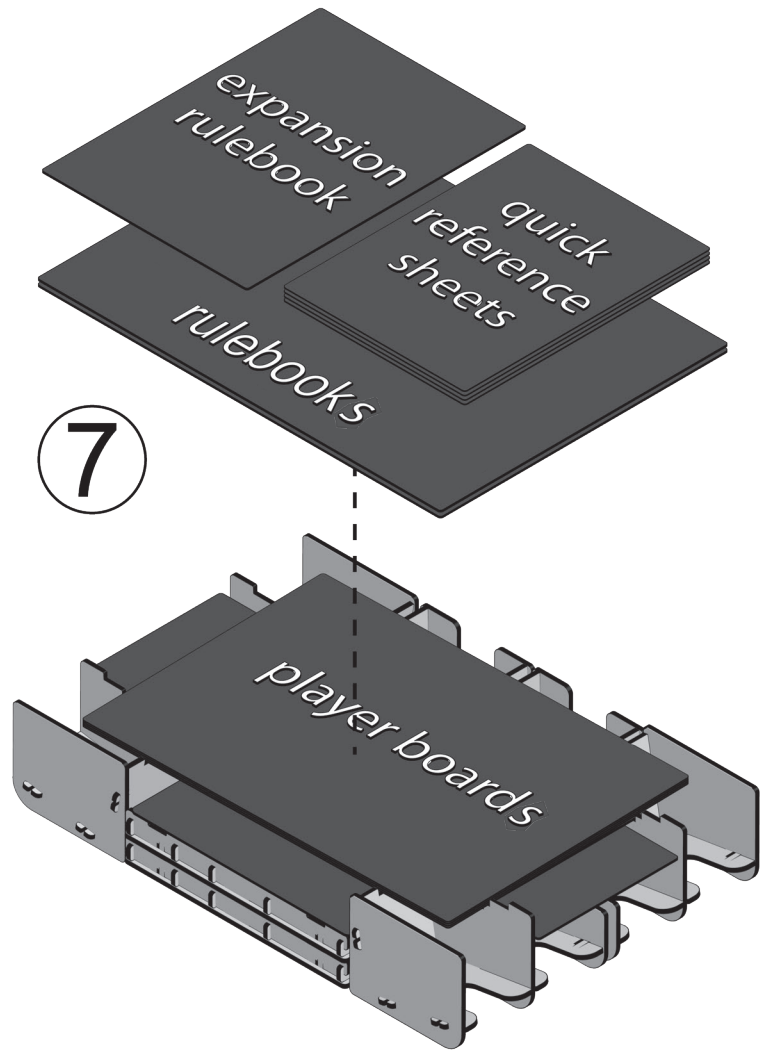
5



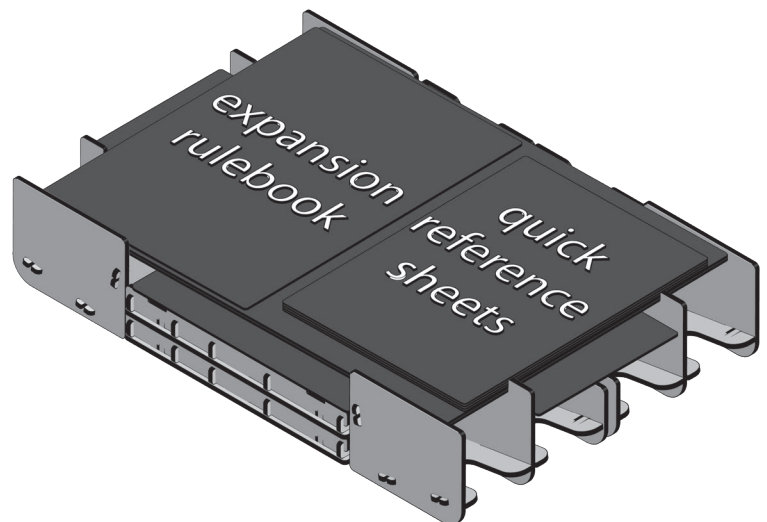
6

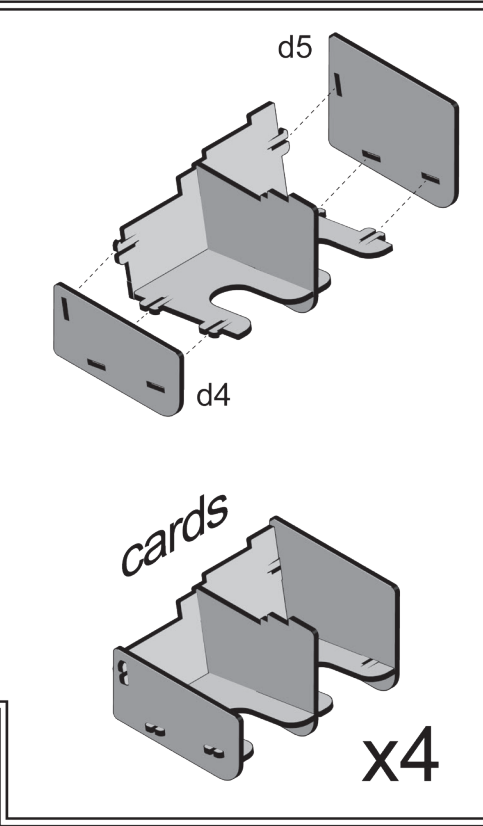
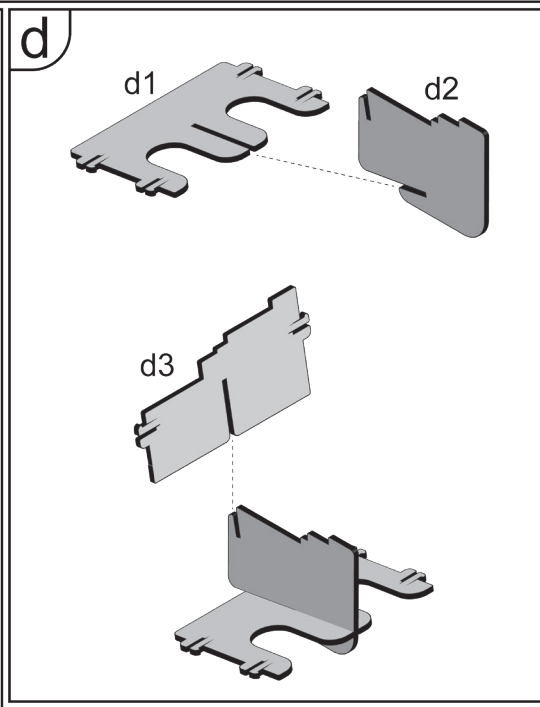
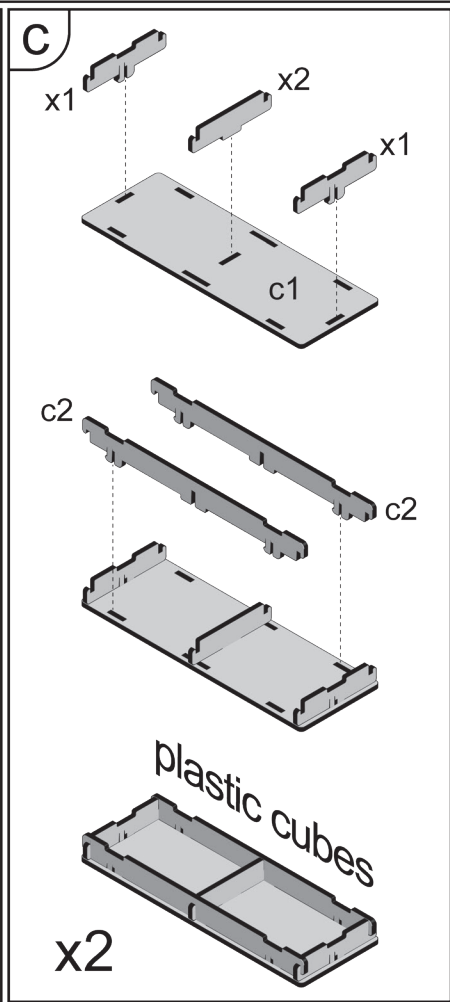
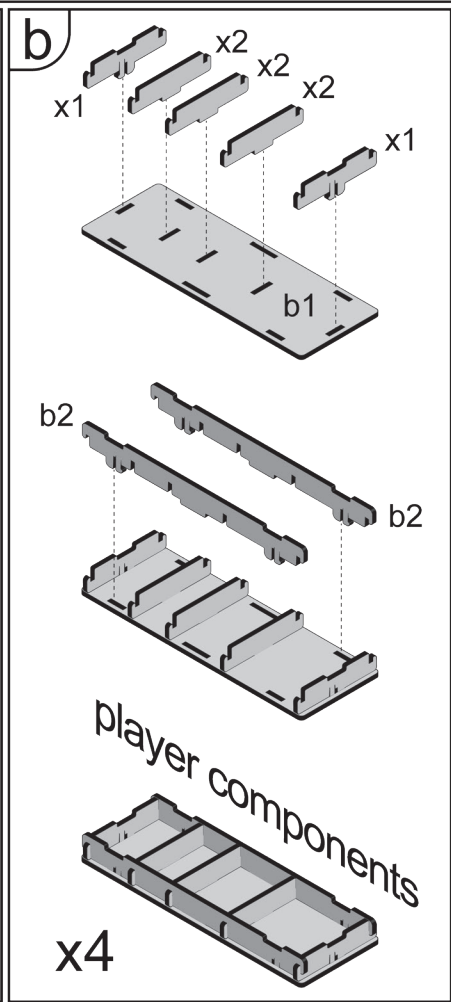
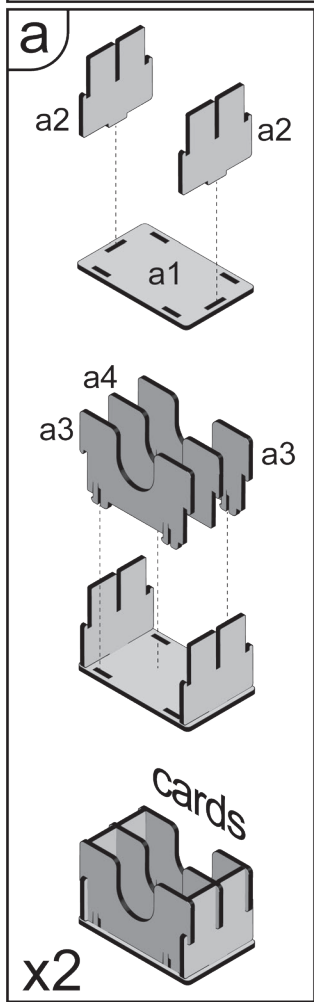
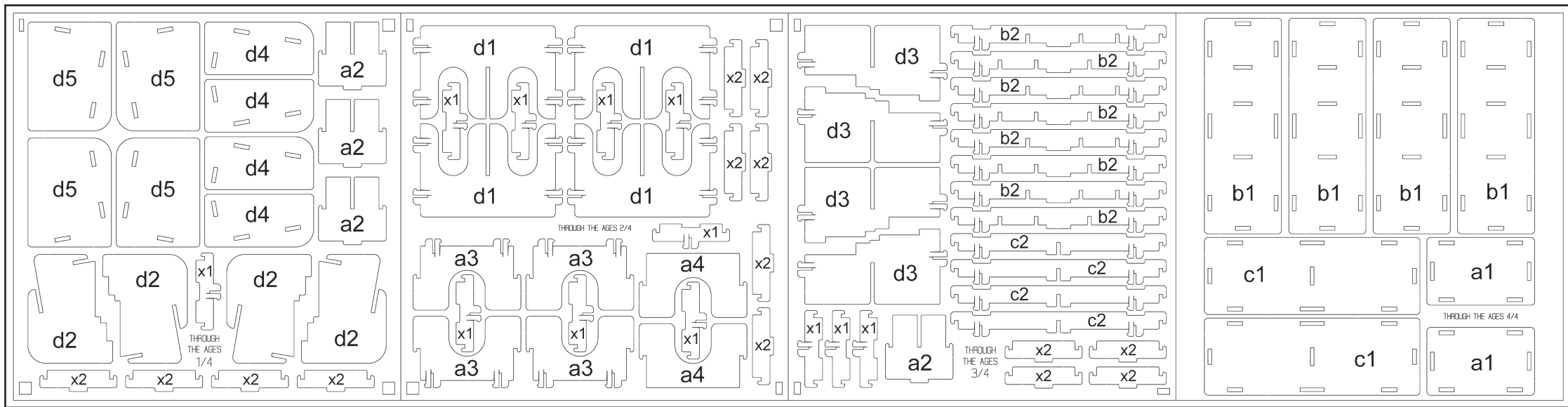


7



8





Please remove elements out of frame carefully.
It is recommended to use a blade at the cutline to punch the element out of the sheet easier.
Assemble based on element letter.
Then from number first to last.

Insert compatible with the game:

 + New leaders and wonders