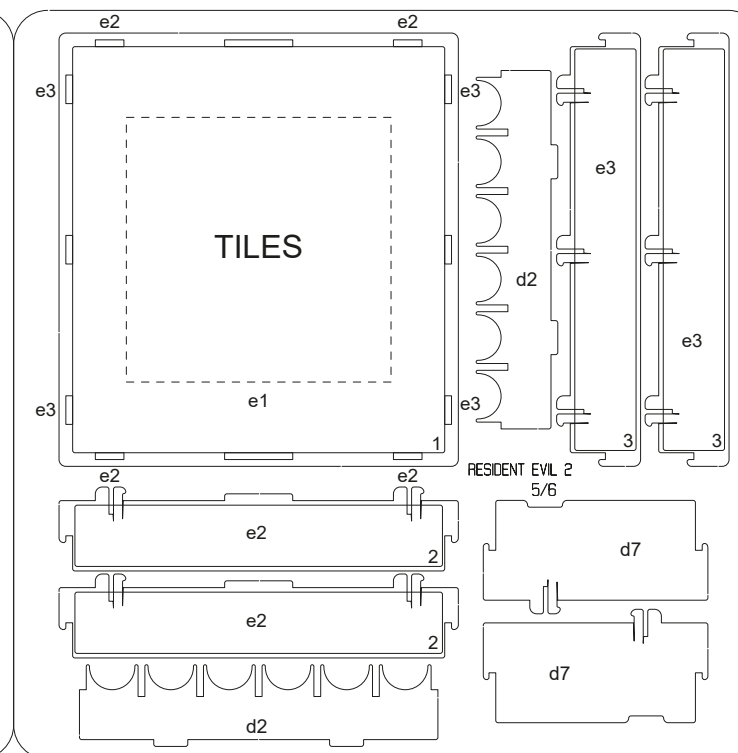
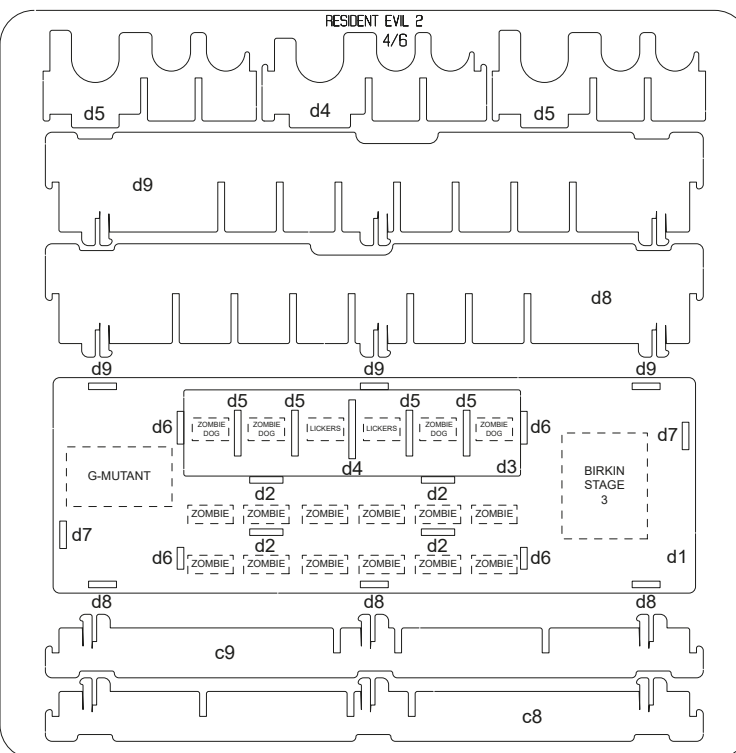


Please remove elements out of frame carefully.



RESIDENT EVIL 2  
6/6

b4, b4, b3, b3, d6, d6, d5, d5, d6, d6, 3, 3, 2, 2, 1, 1, RESIDENT EVIL 2

Assemble based on base element letter then according to numbers from first to last.

Example: while assembling a1 start by inserting all elements a2 into base element a1, then all elements a3 and so on.

Compatible with the game:  
**RESIDENT EVIL 2**