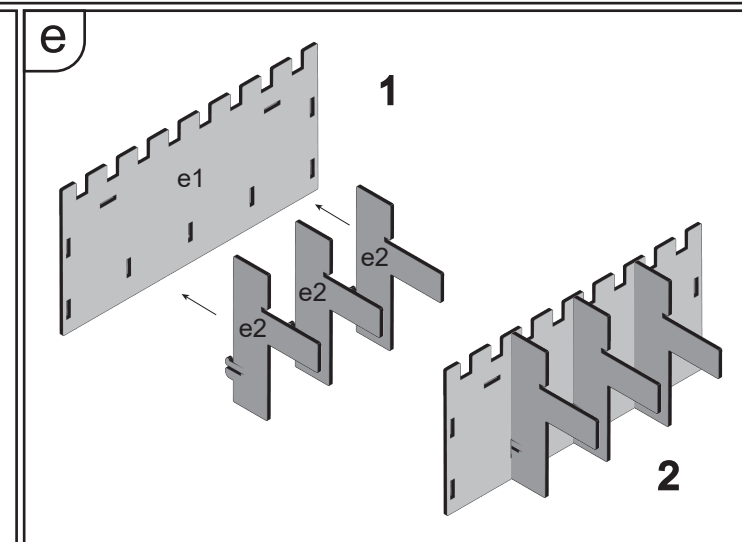
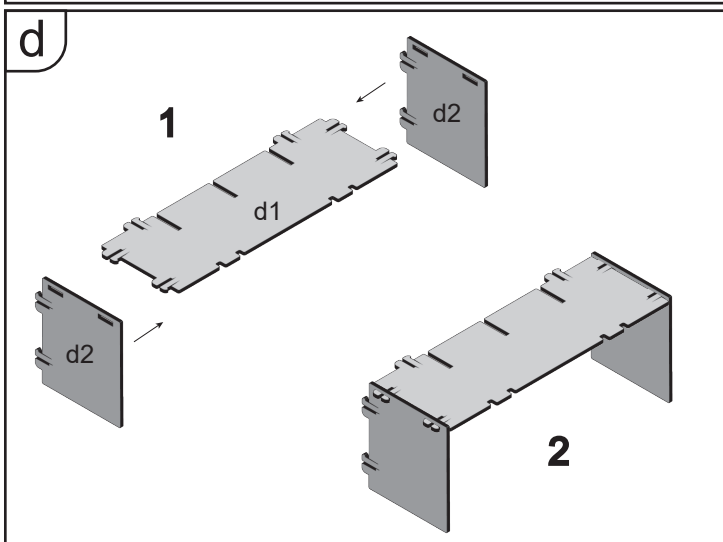
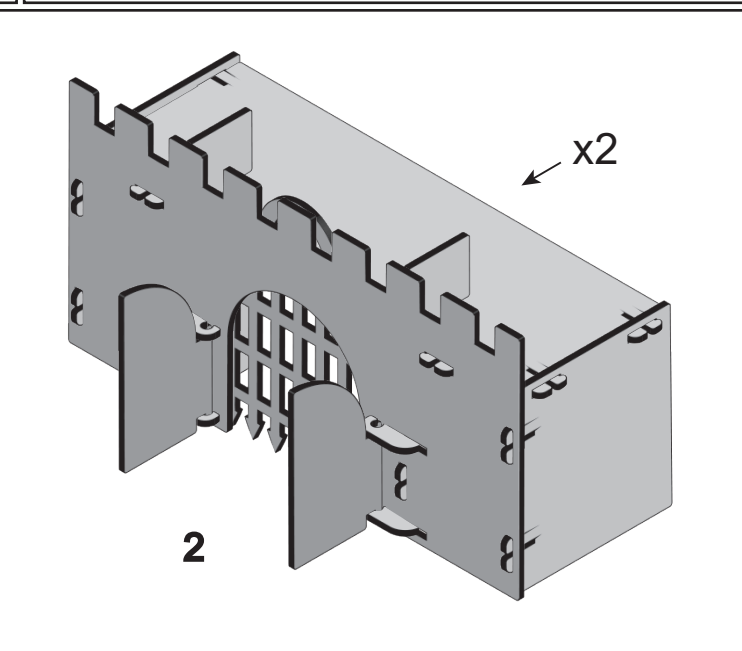
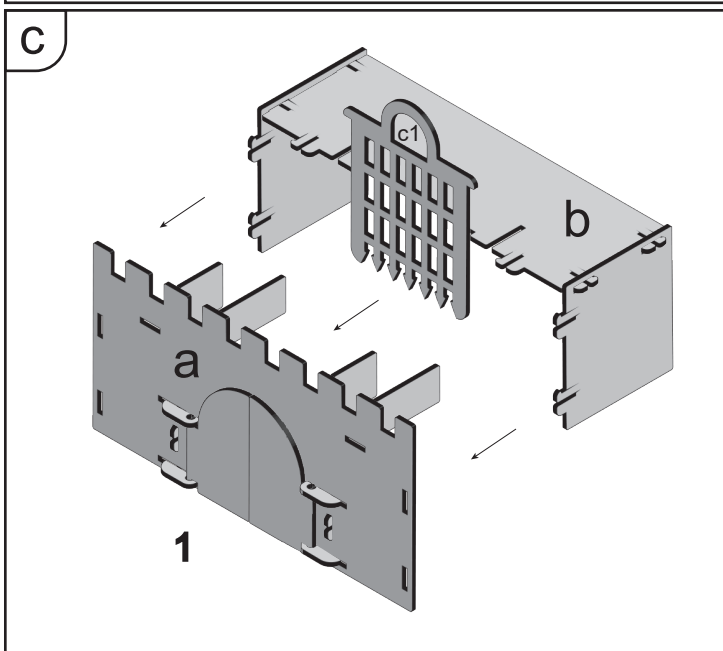
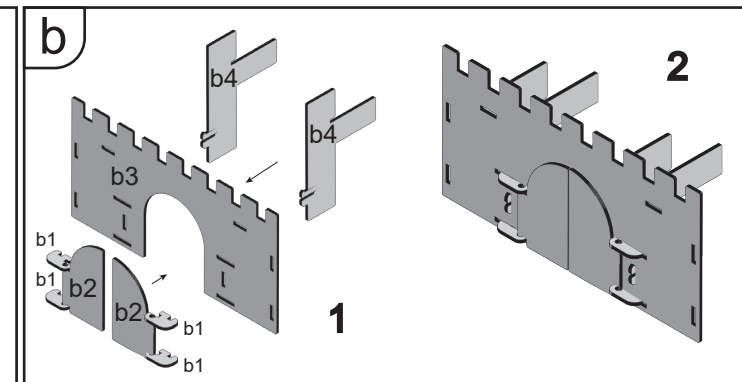
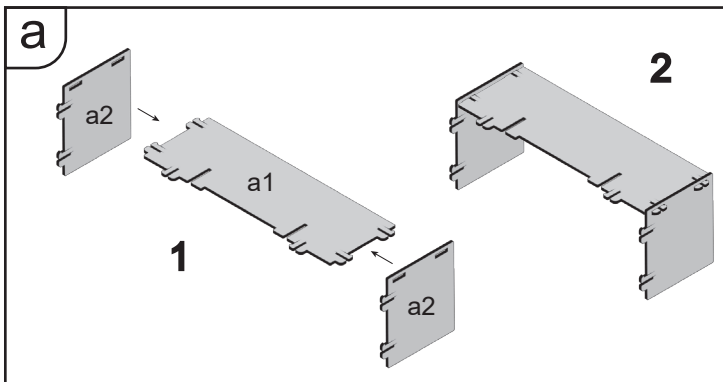
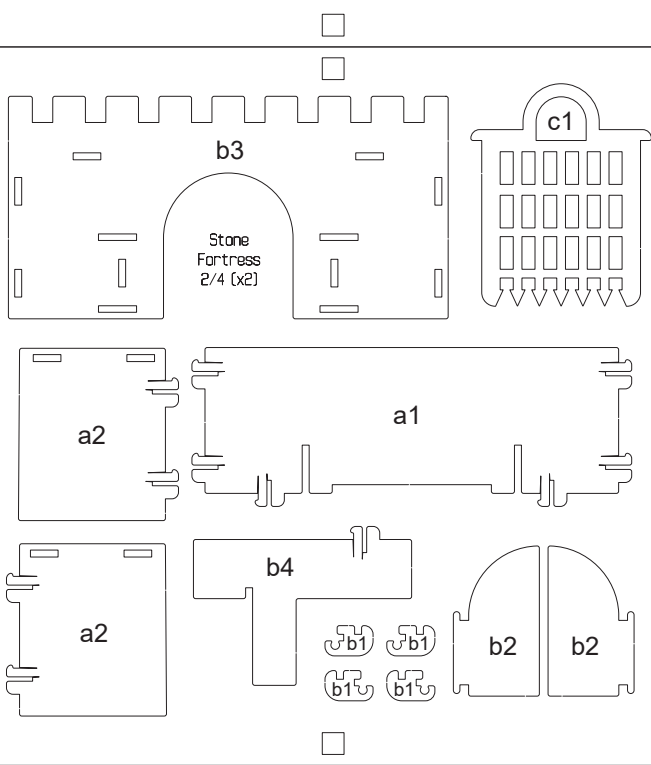
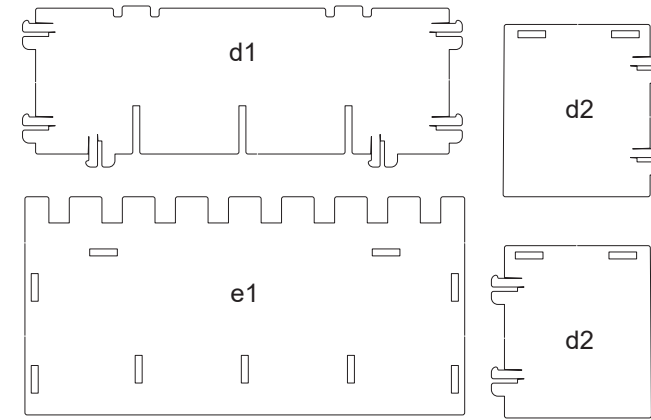
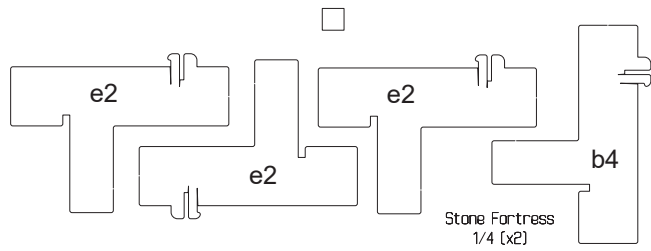


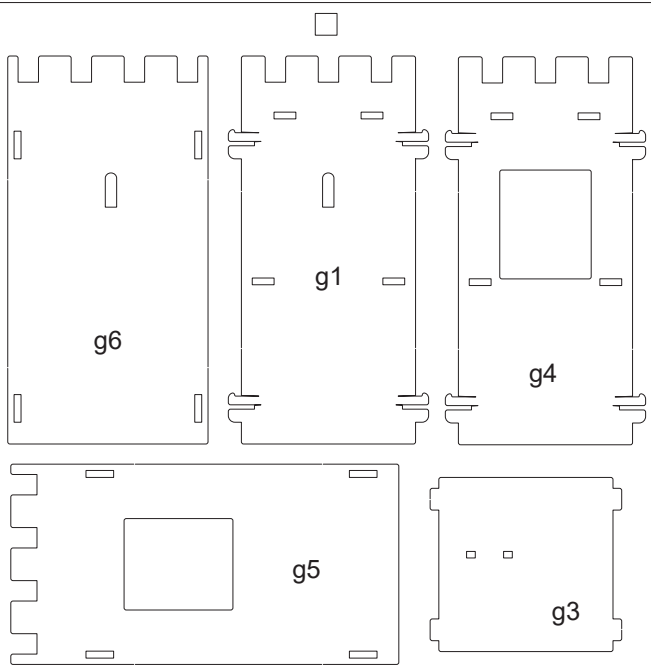
Please remove elements out of frame carefully.

It is recommended to use a blade at the cutline to punch the element out of the sheet easier.



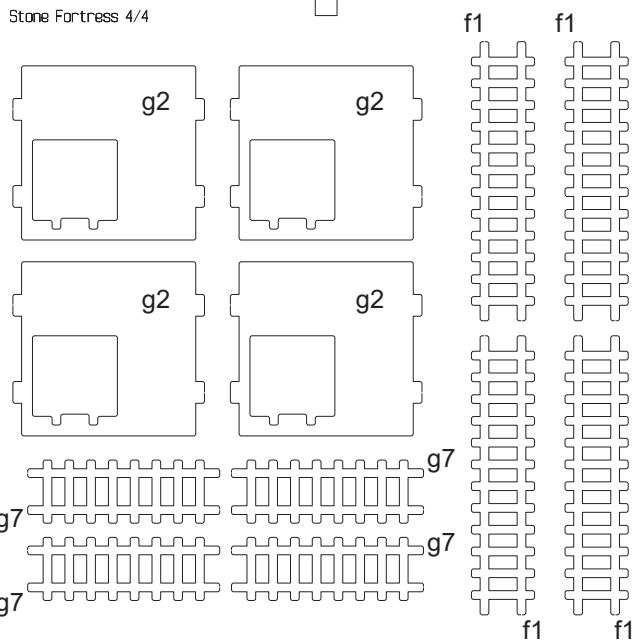
Please remove elements out of frame carefully.

It is recommended to use a blade at the cutline to punch the element out of the sheet easier.

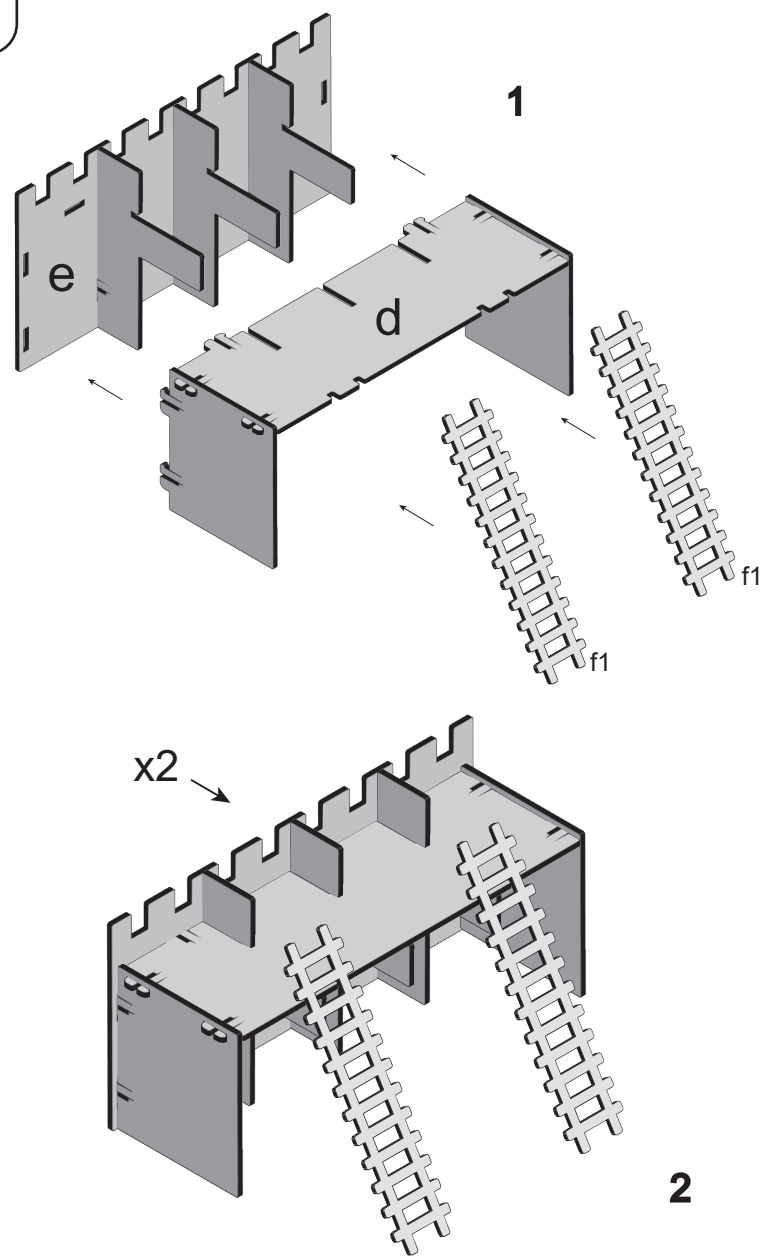


Stone Fortress 3/4 (x4)

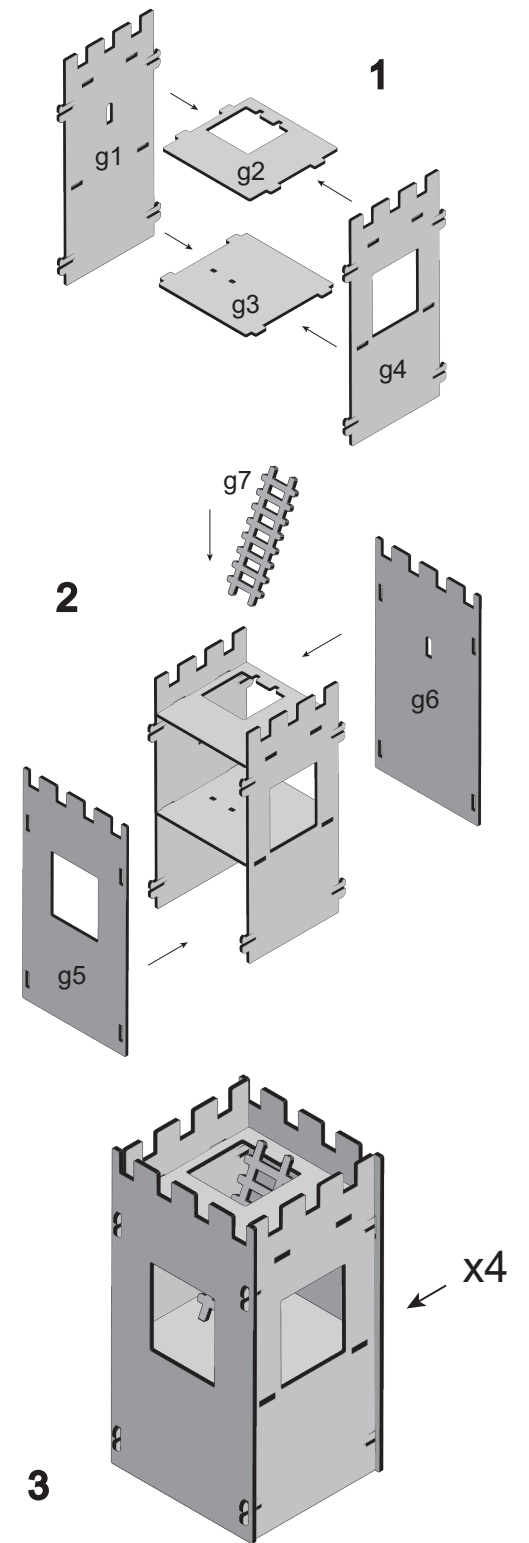
Stone Fortress 4/4



f



g



## Fantasy Battlegrounds Stone Fortress / Winter Fortress

Assemble based on element letter.  
Then from number first to last.