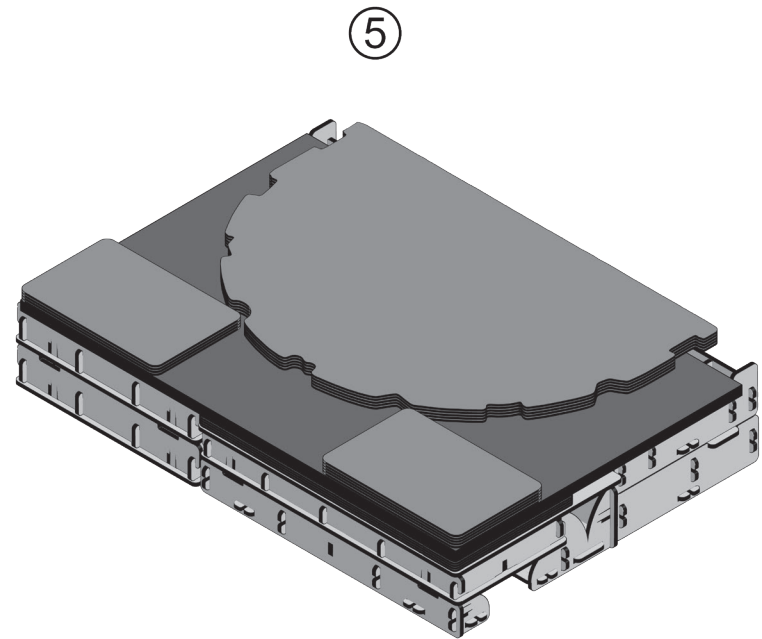
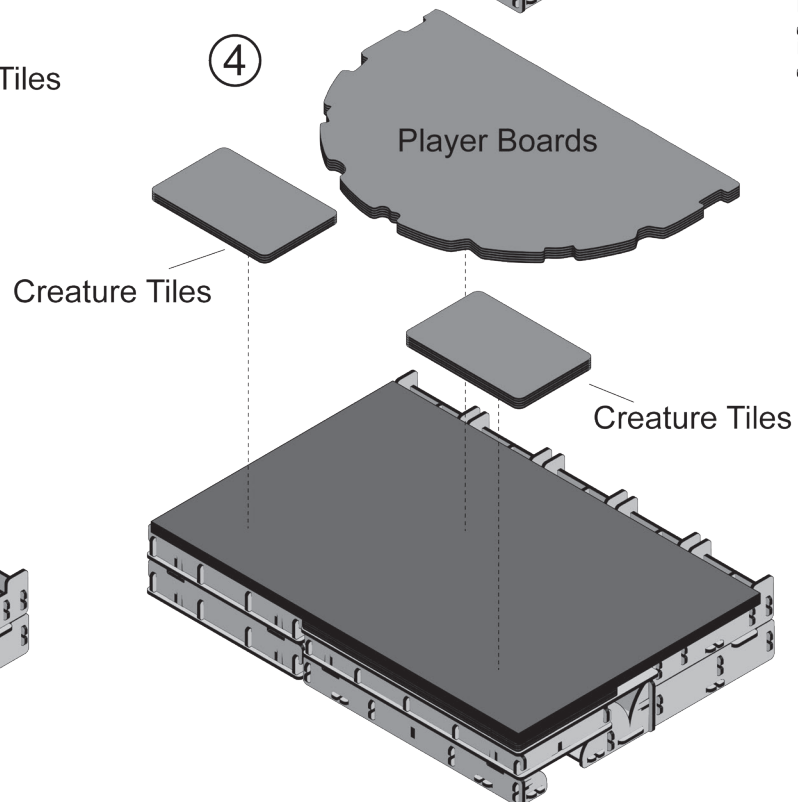
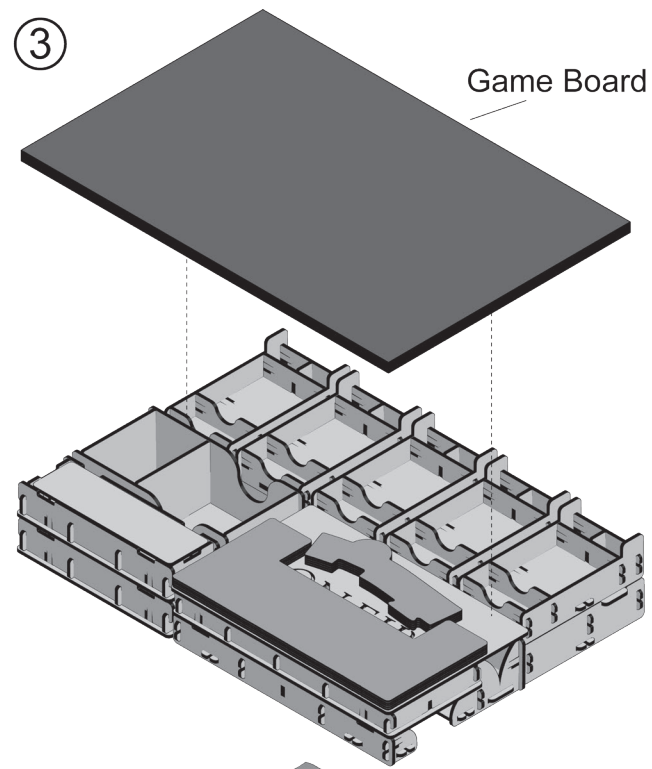
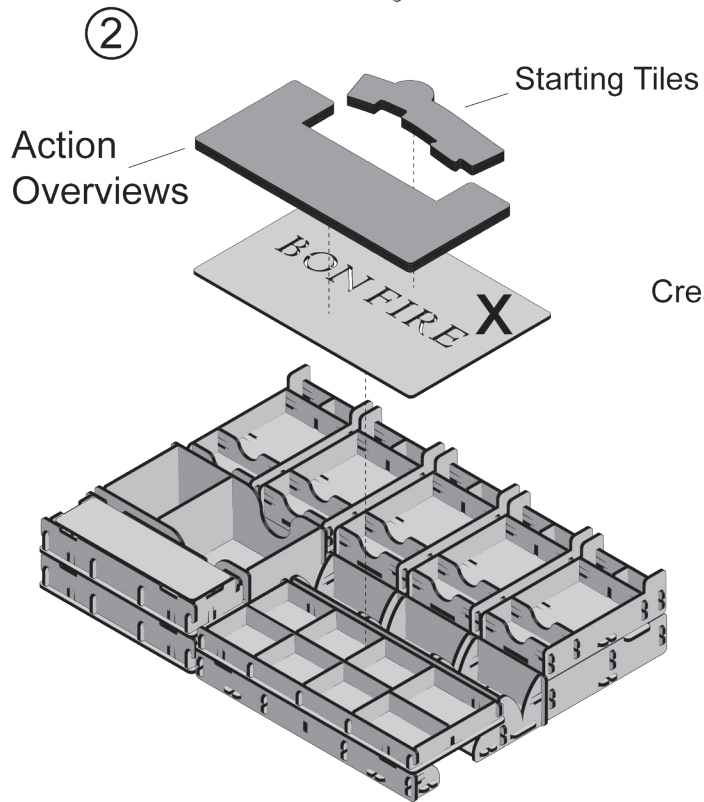
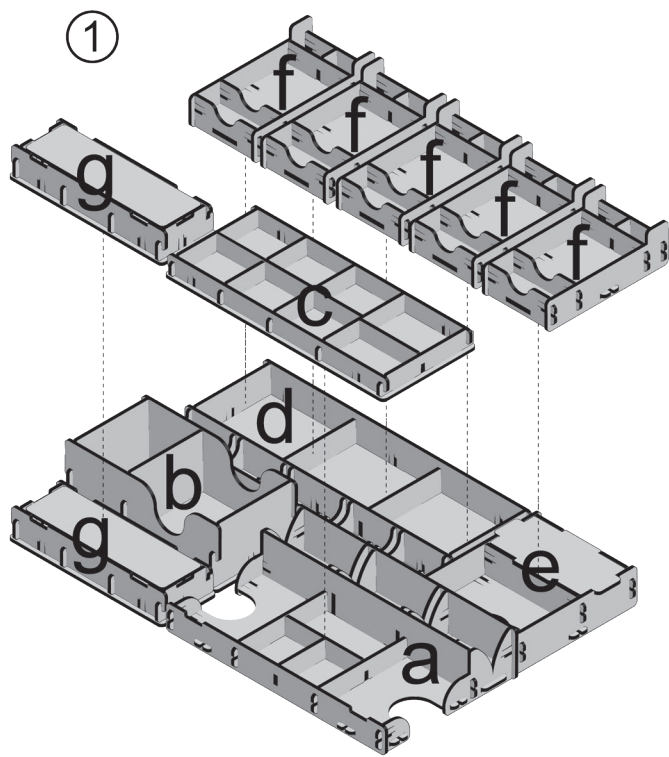


Insert compatible with the game:

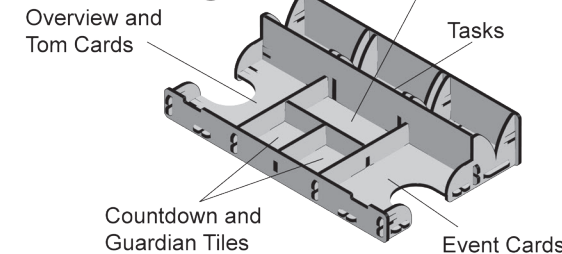
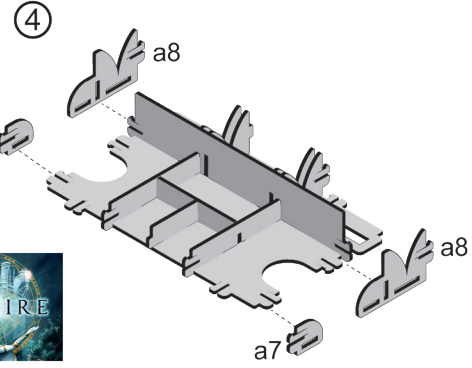
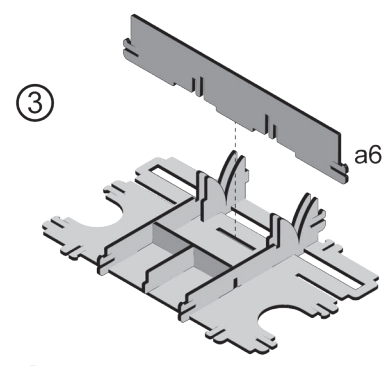
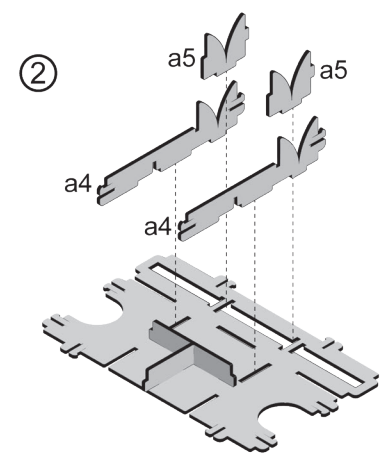
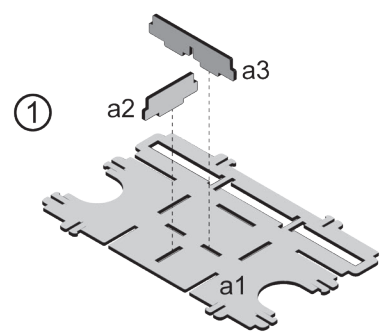


+ Bonfire: Trees & Creatures

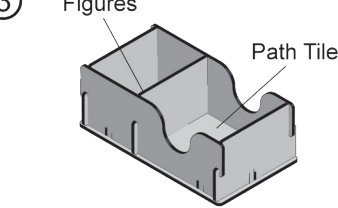
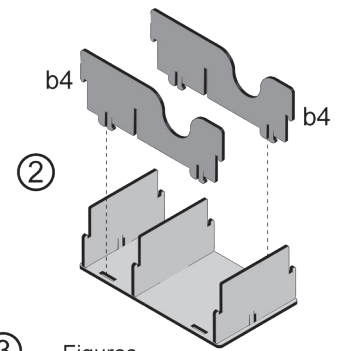
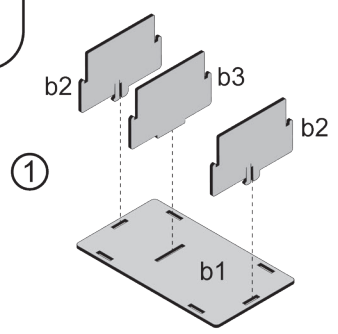
Please remove elements out of frame carefully.  
 It is recommended to use a blade at the cutline  
 to punch the element out of the sheet easier.  
 Assemble based on element letter.  
 Then from number first to last.



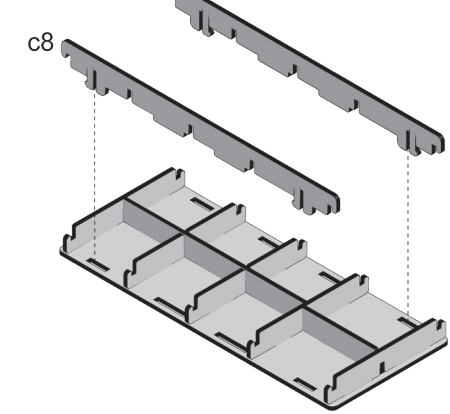
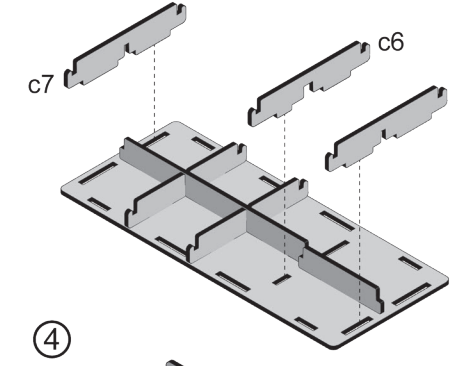
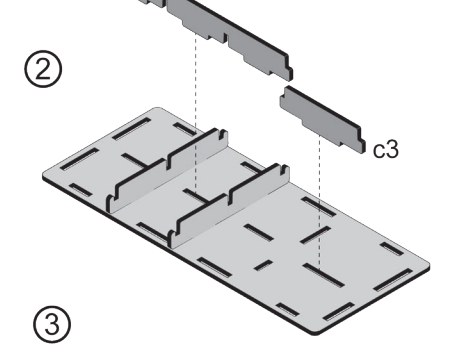
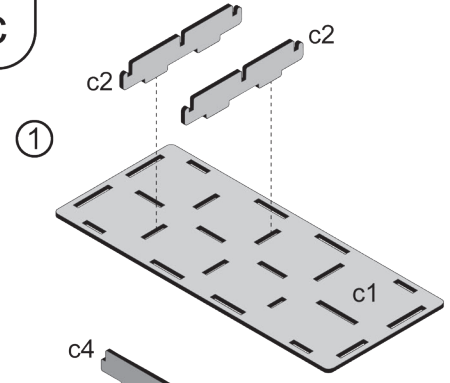
a



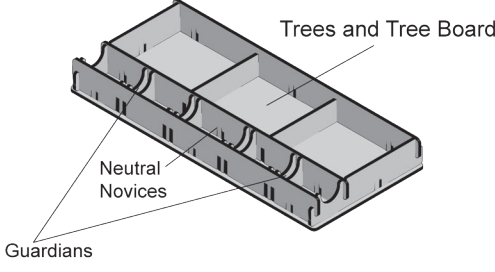
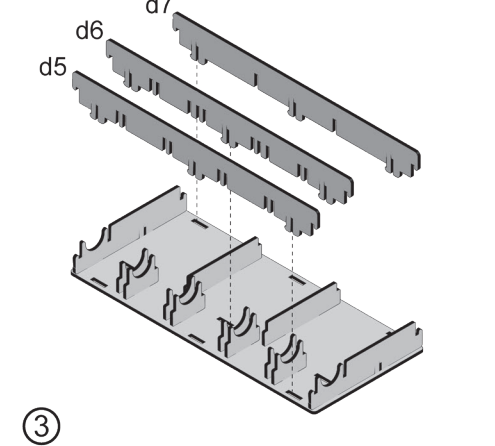
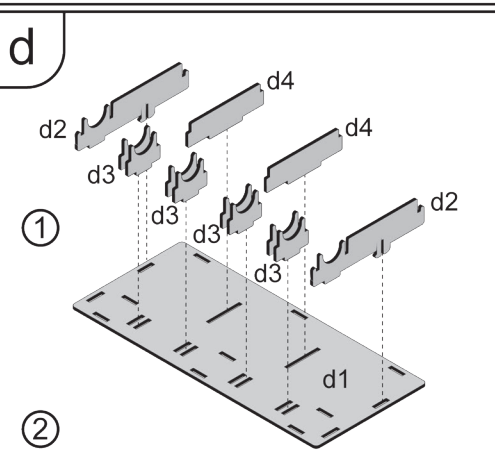
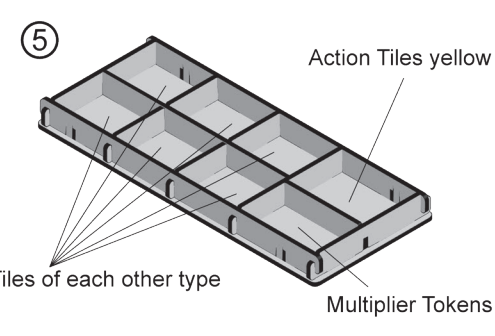
b



c

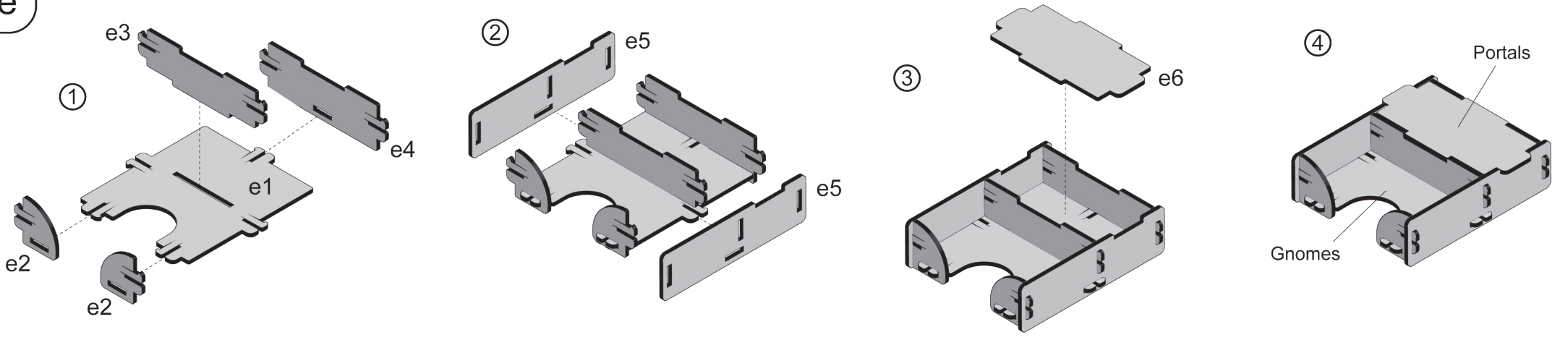


d

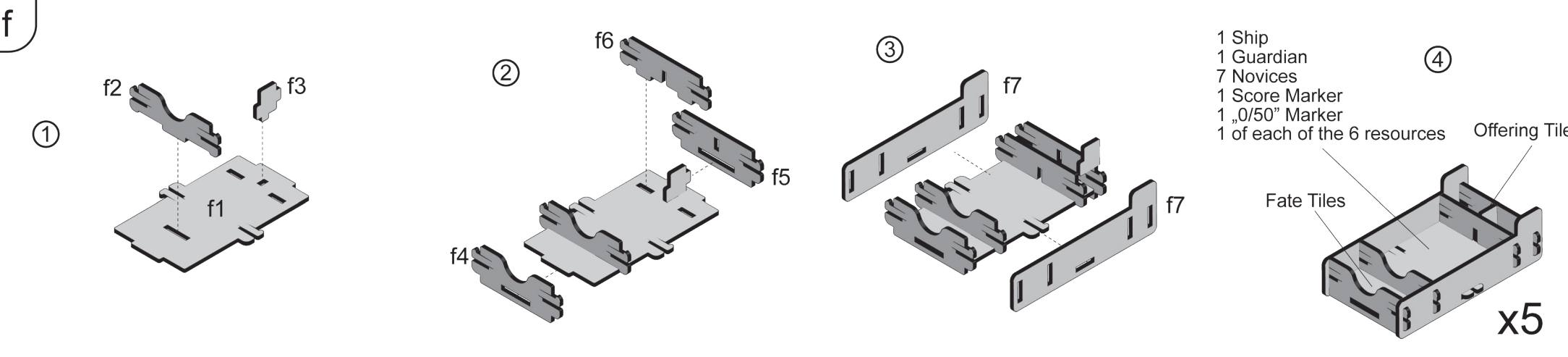




e



f



g

