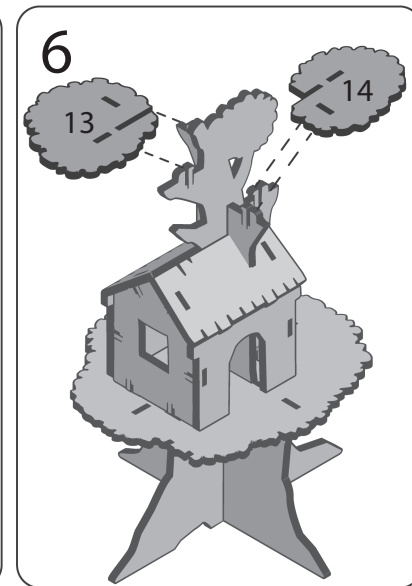
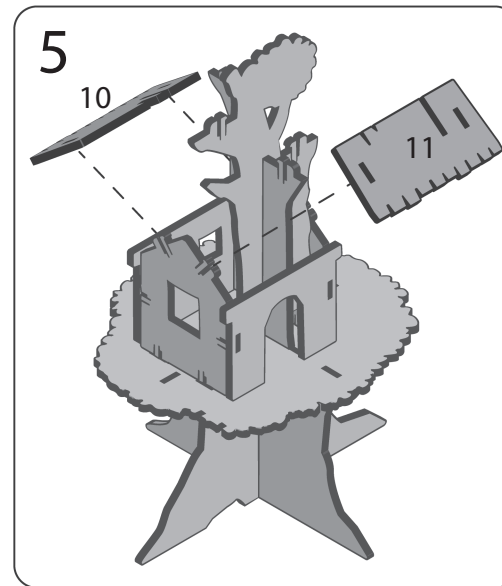
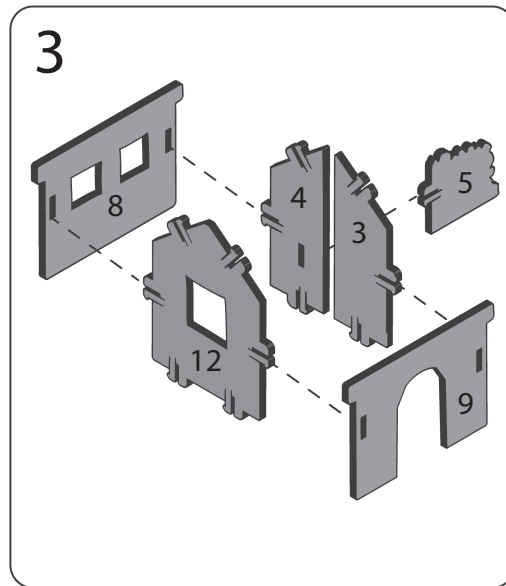
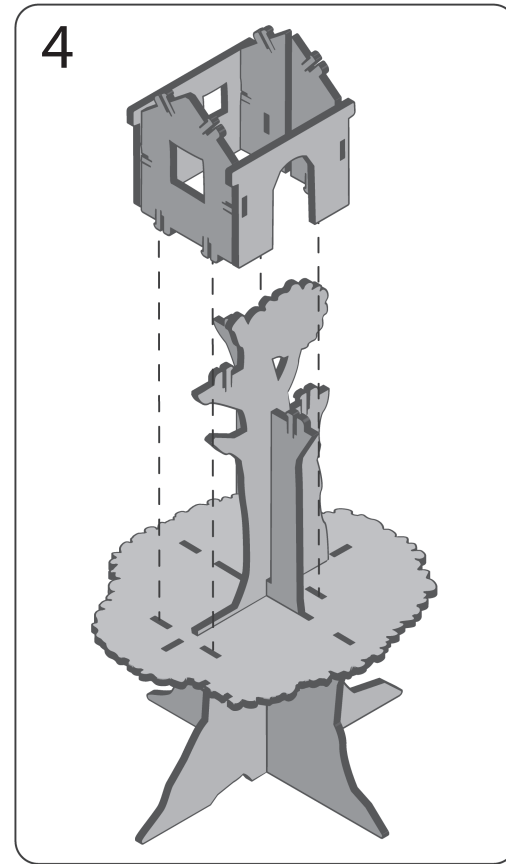
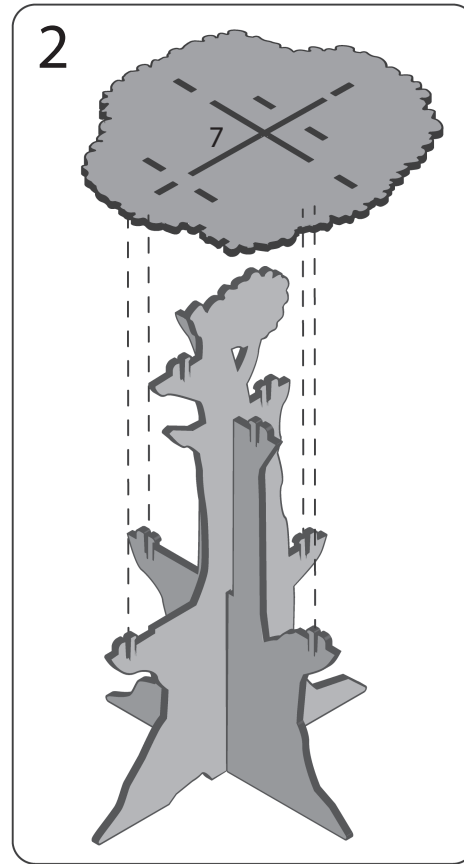
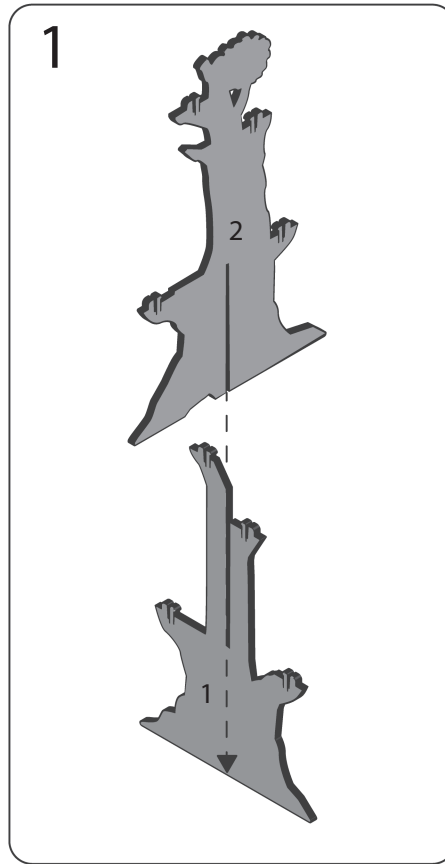
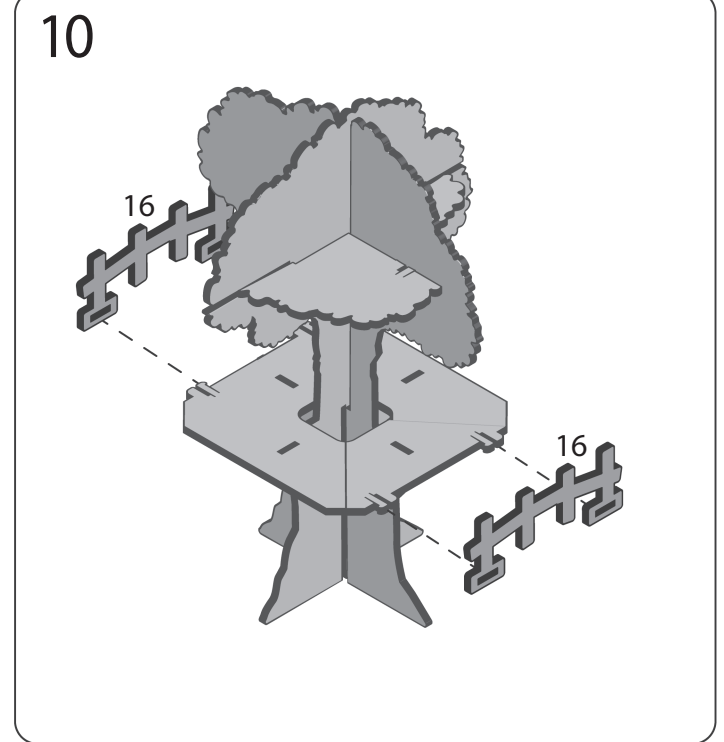
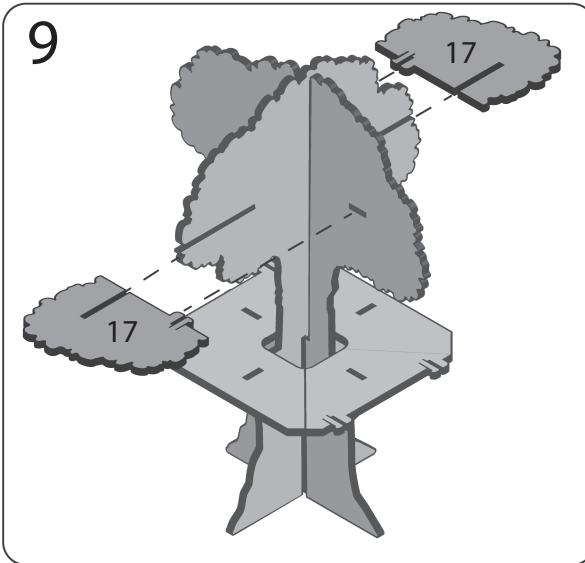
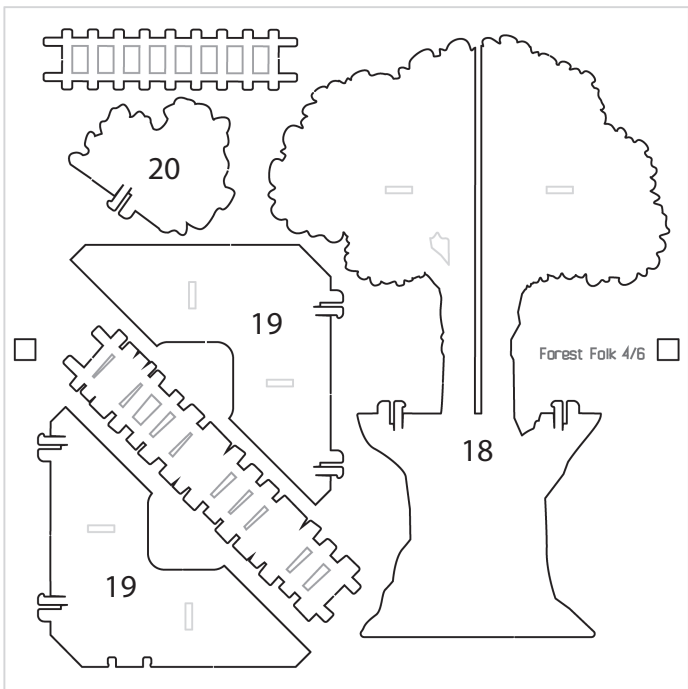
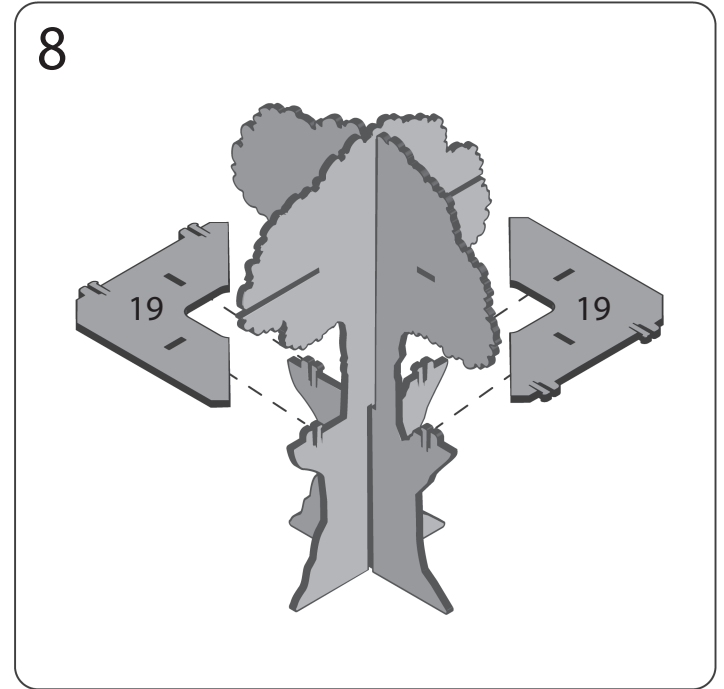
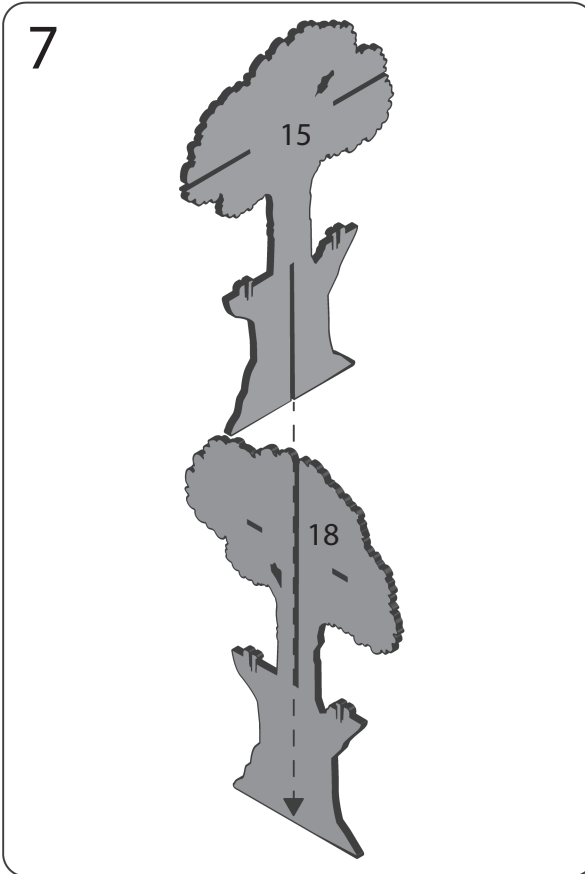
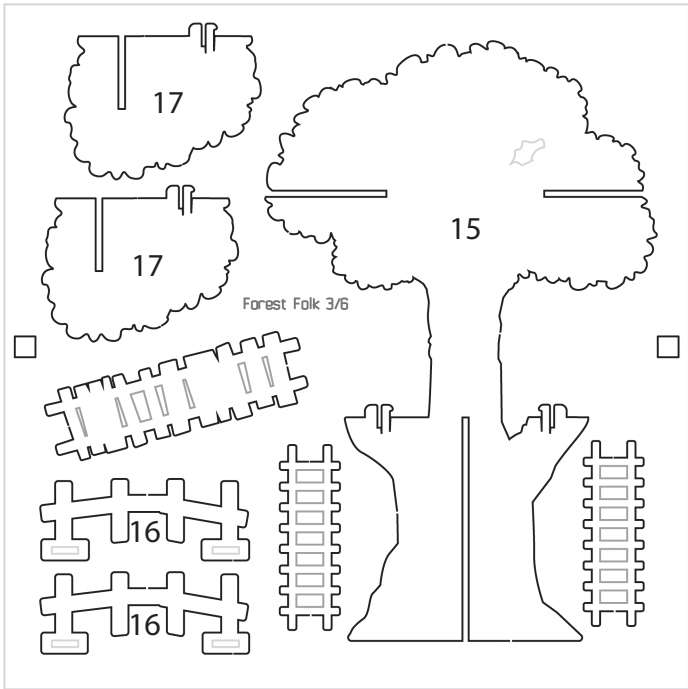
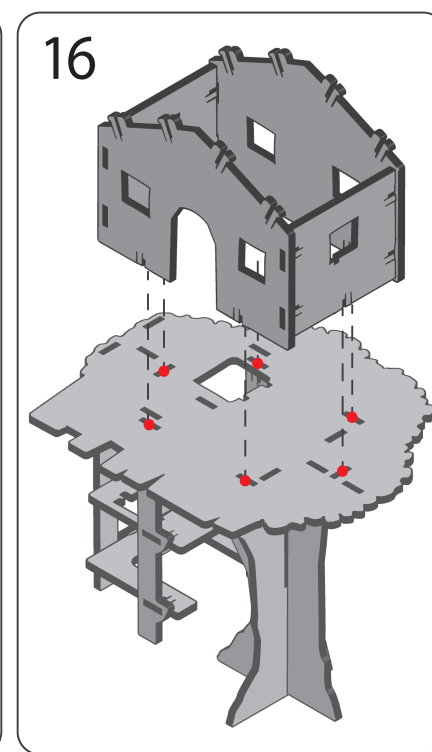
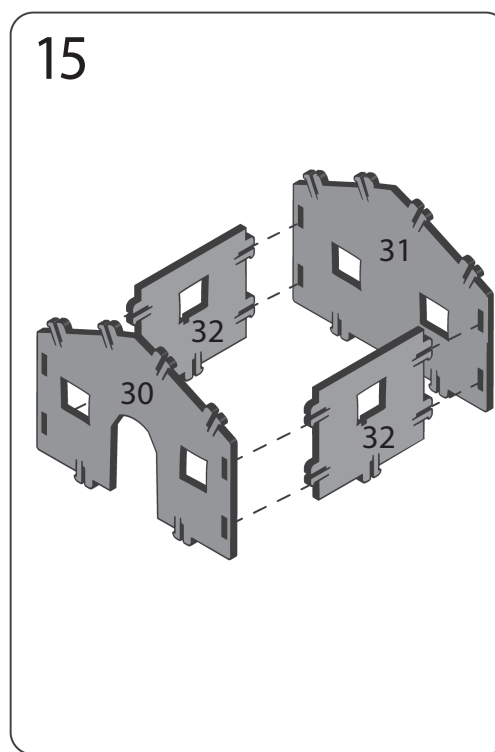
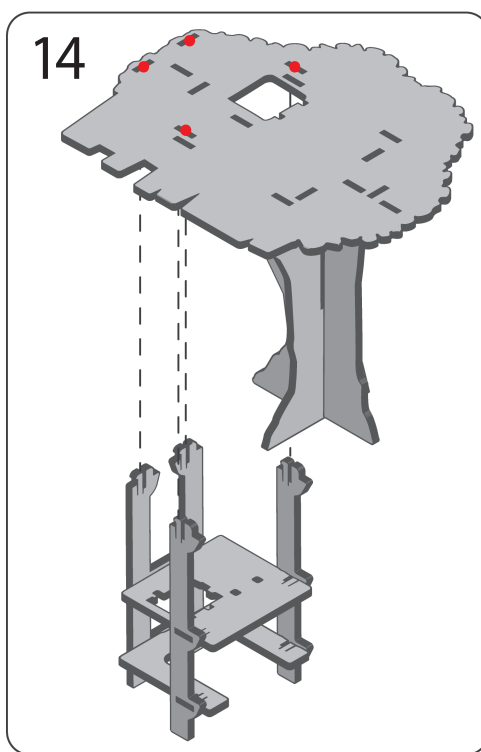
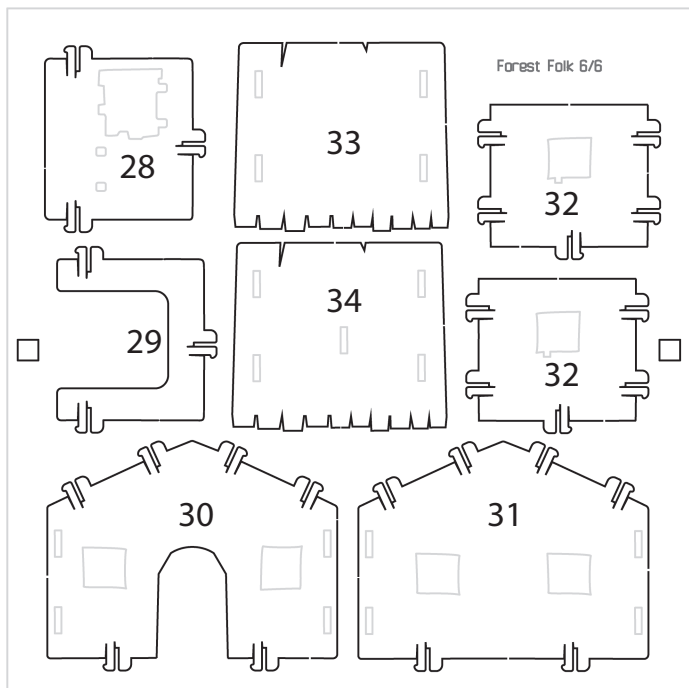
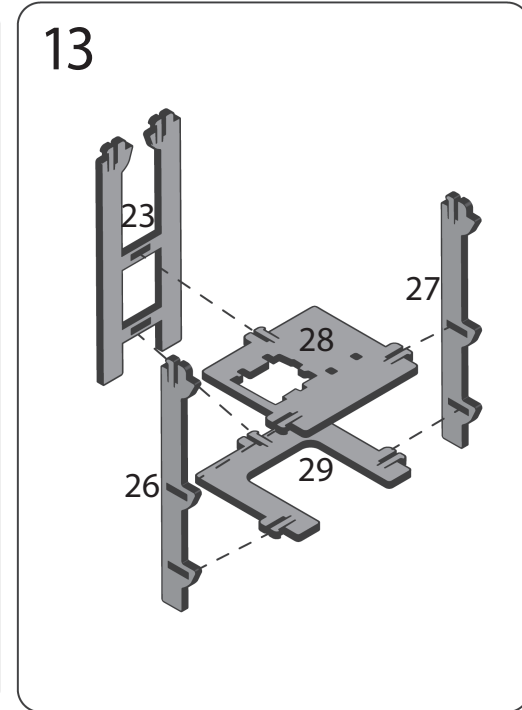
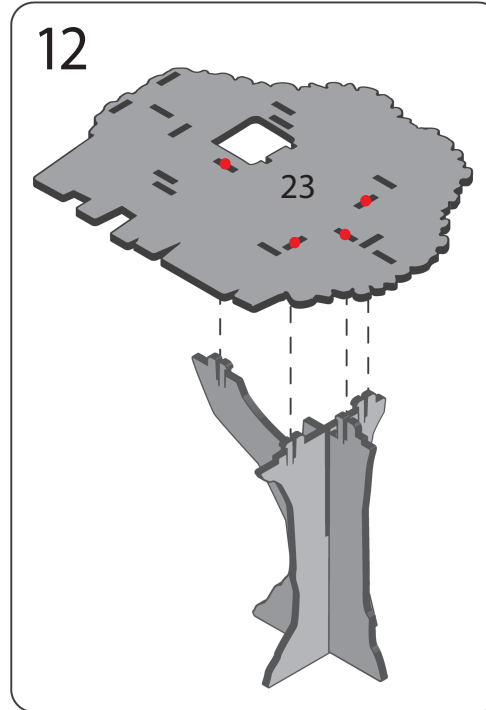
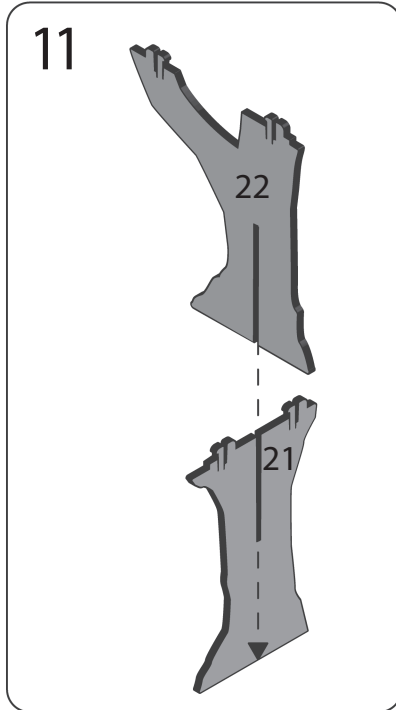
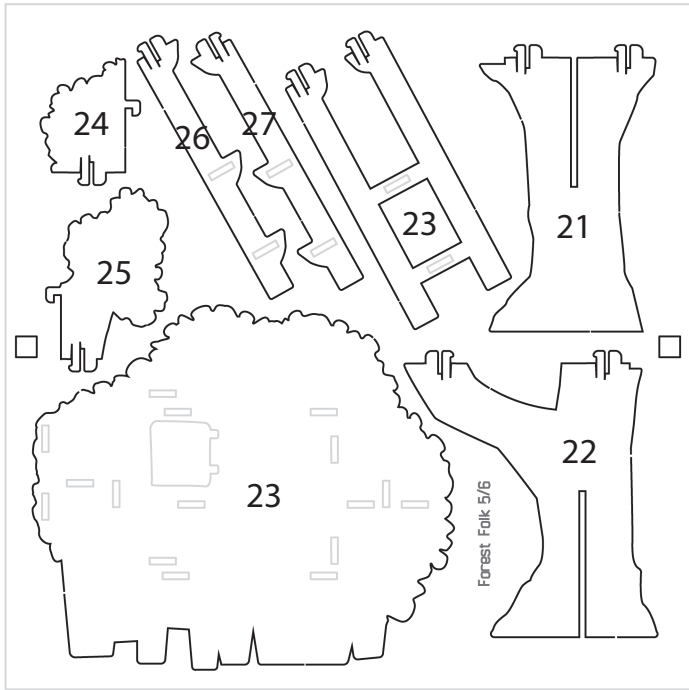


It is recommended to use a blade at the cutline to punch the element out of the sheet easier.

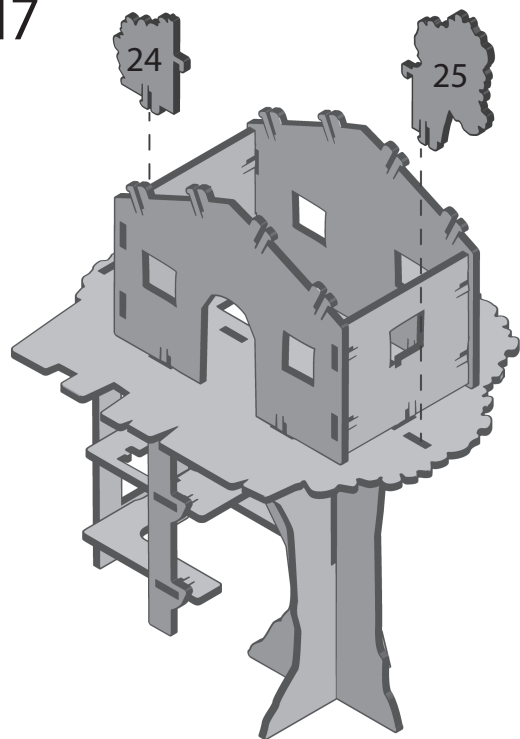
Please remove elements out of frame carefully



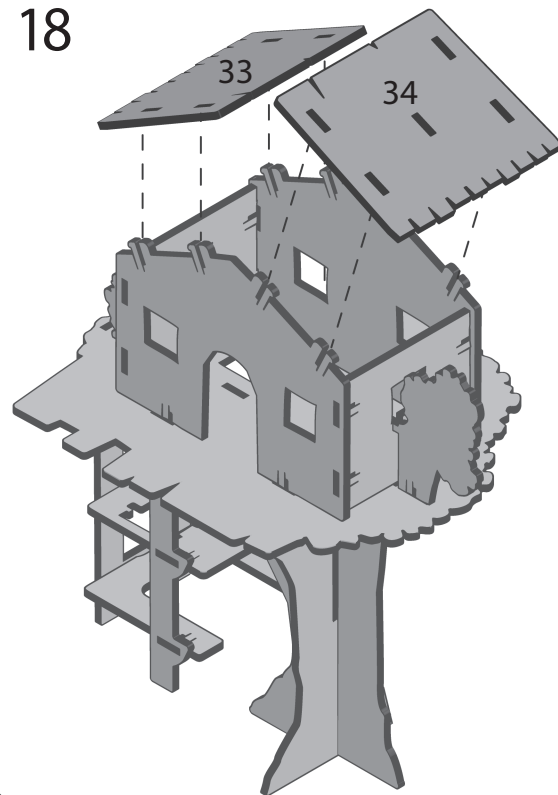




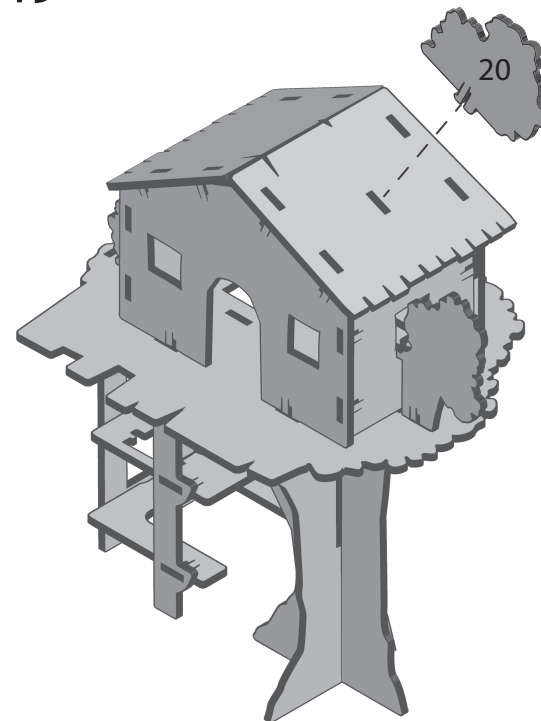
17



18



19



Additional elements

