

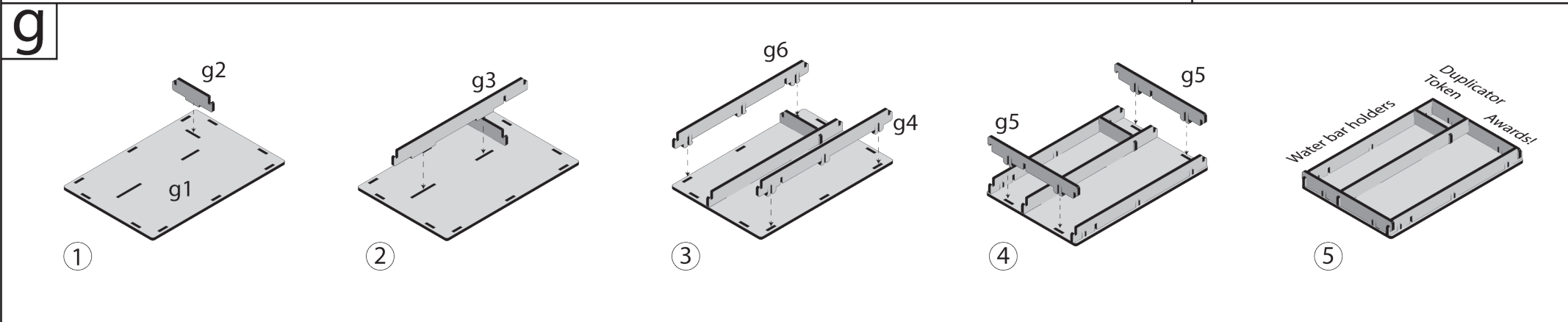
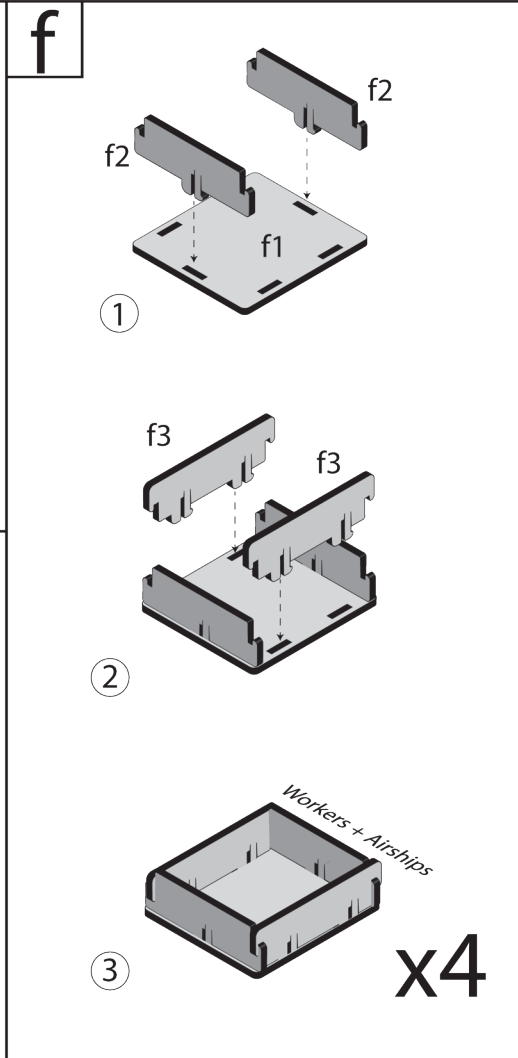
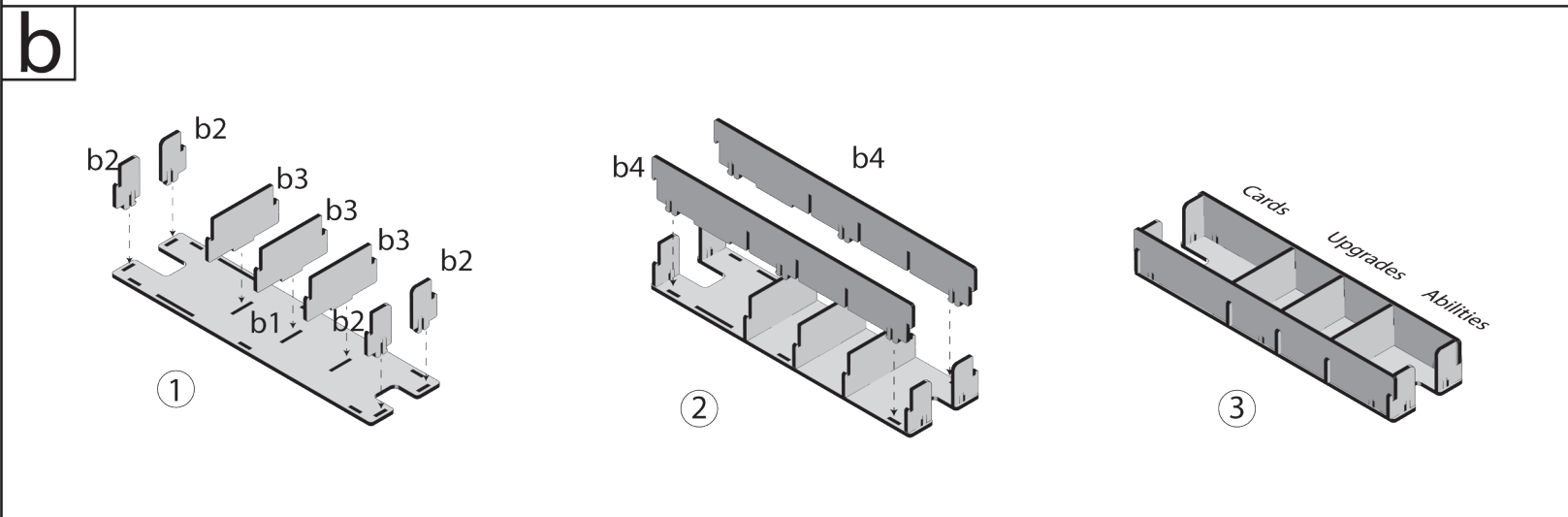
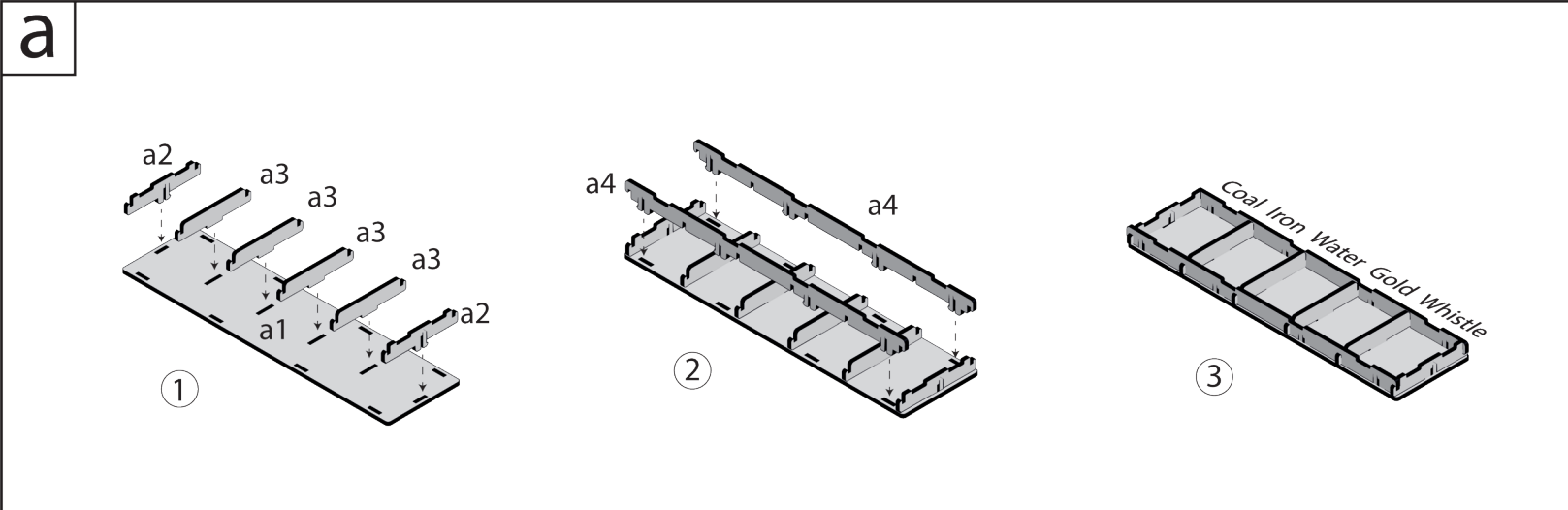
INSERT COMPATIBLE WITH THE GAME:



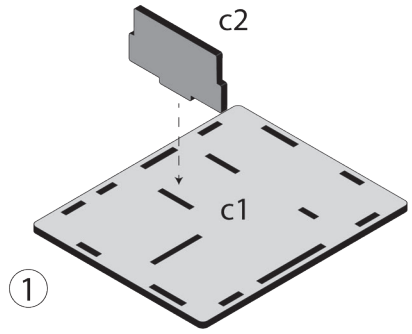
Please remove elements out of frame carefully.

It is recommended to use a blade at the cutline to punch element out of sheet easier.

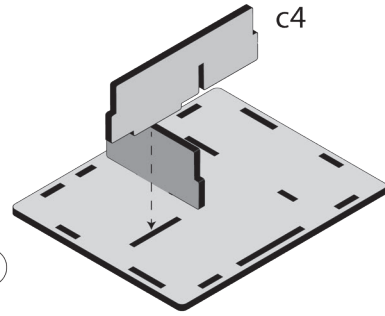
Assemble based on element letter
Then from number first to last.



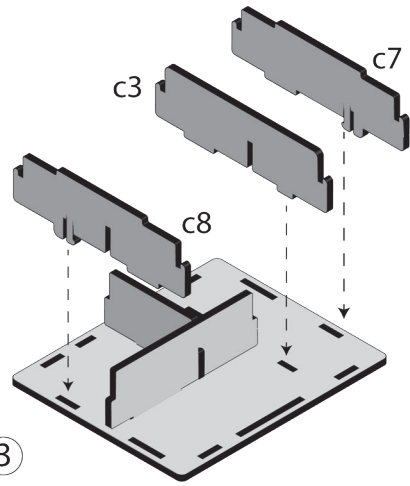
C



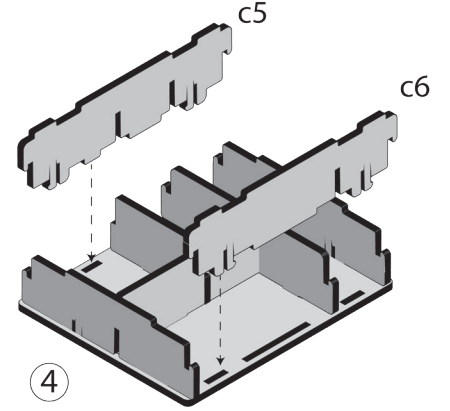
1



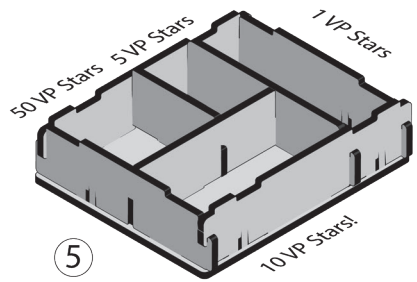
2



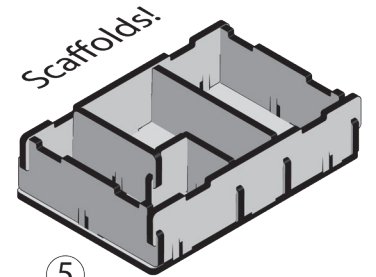
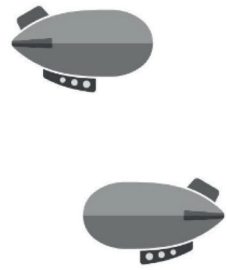
3



4

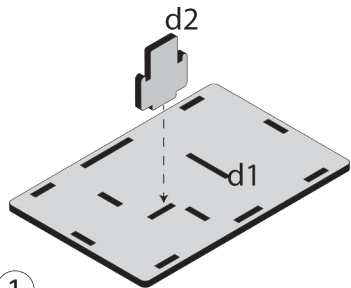


5

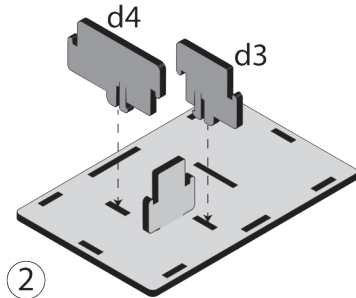


5

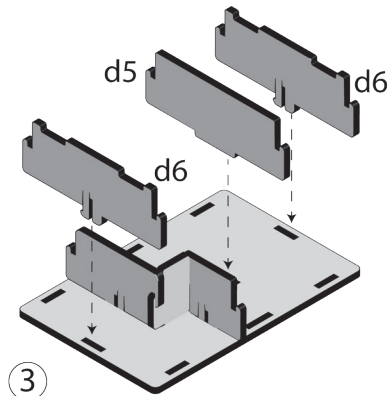
d



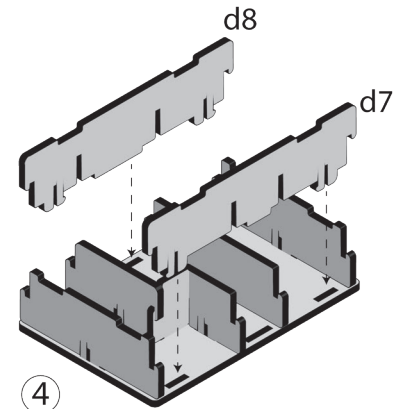
1



2

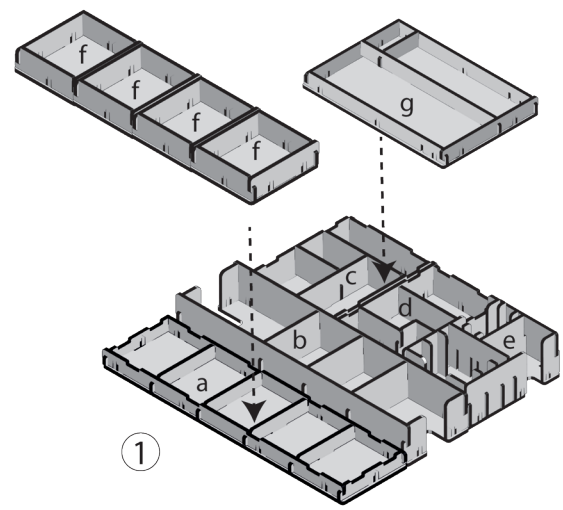
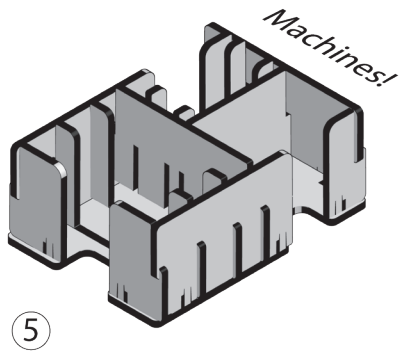
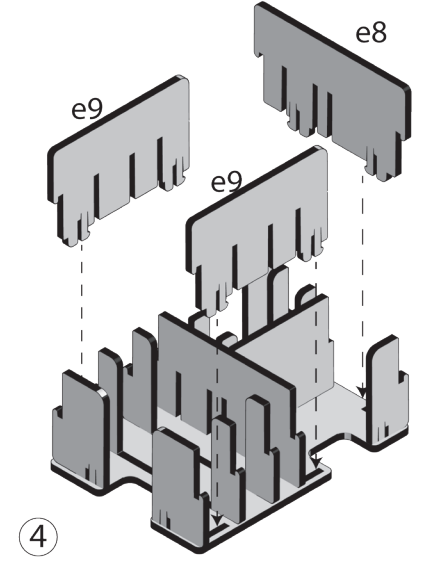
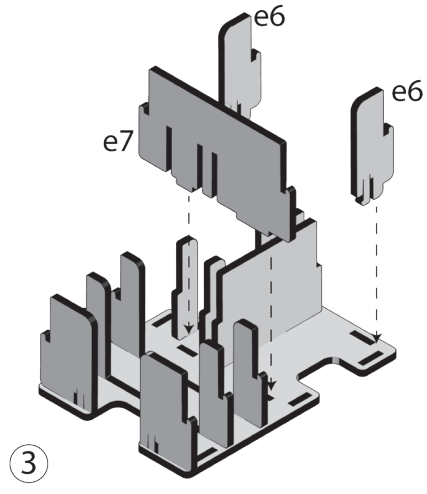
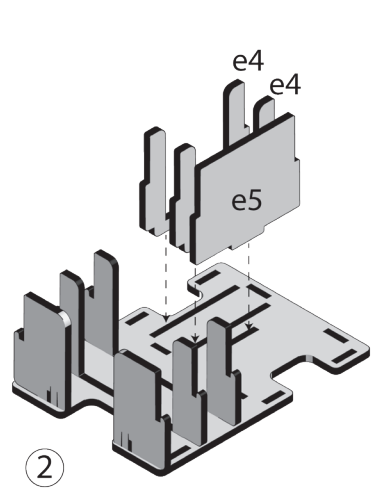
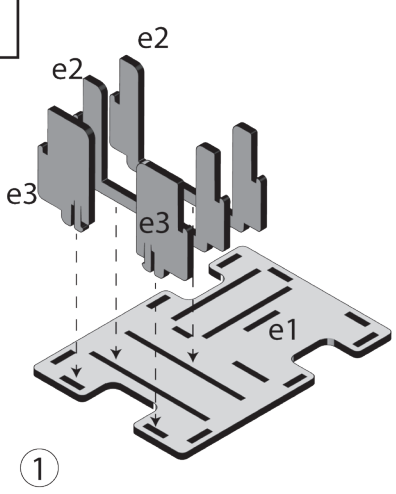


3



4

e



IN BOX!

