

Please remove elements out of frame carefully

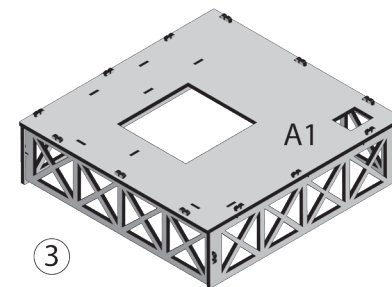
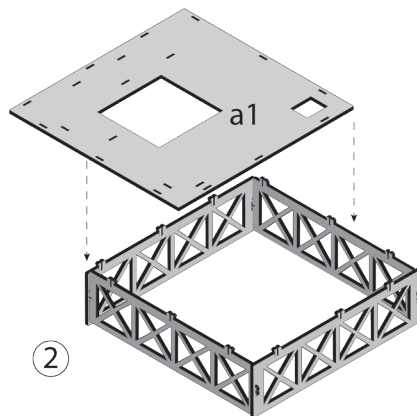
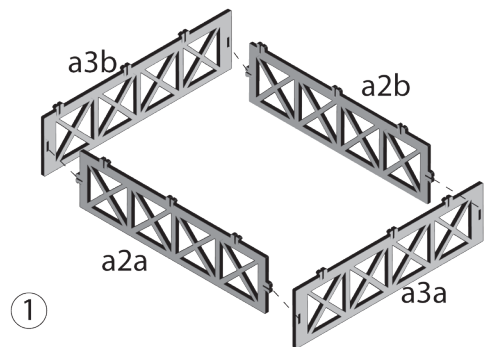
It is recommended to use a blade at the cutline to punch the element out of sheet easier

Assemble based on element letter

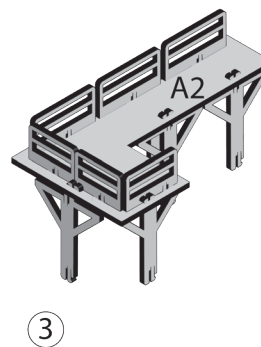
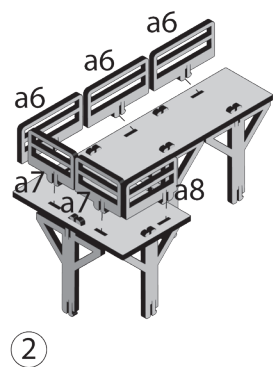
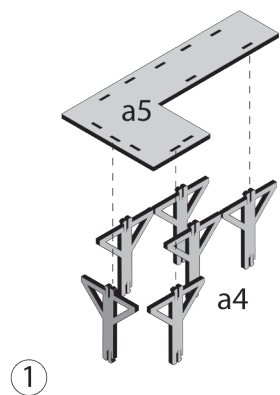
Assemble from number first to last, step by step

METAL CITY

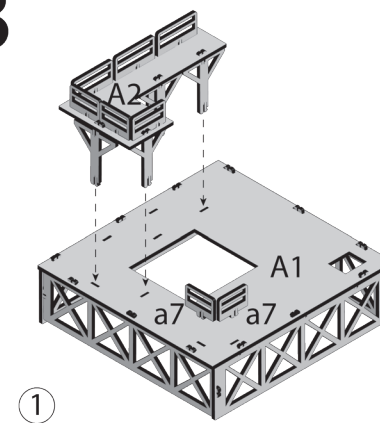
1



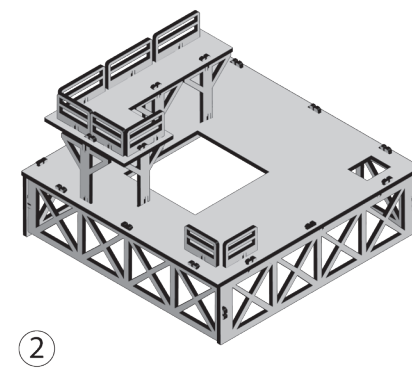
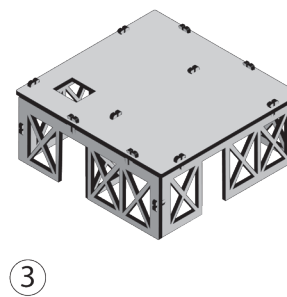
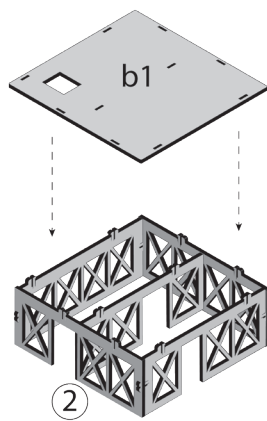
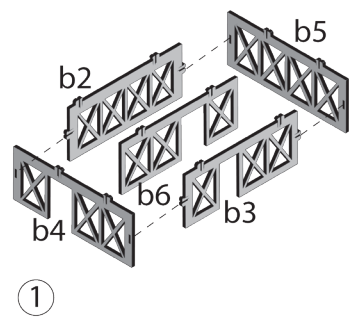
2



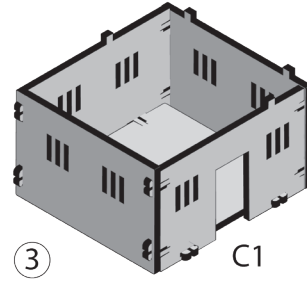
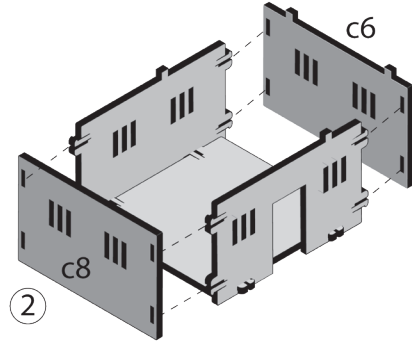
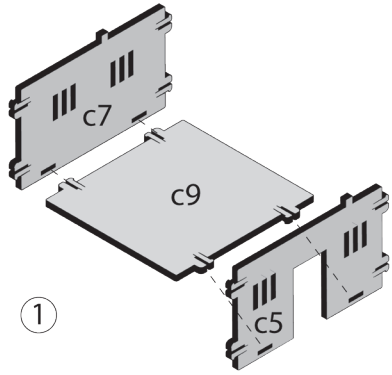
3



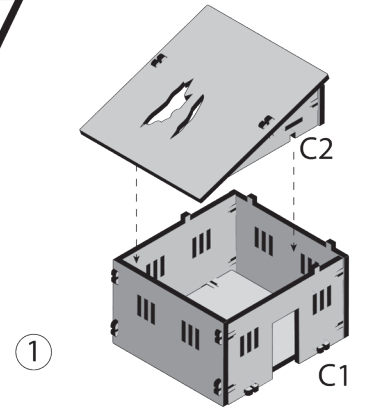
4



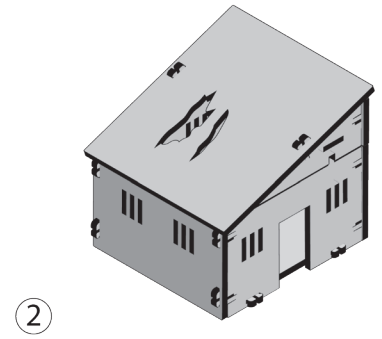
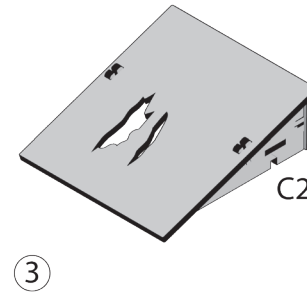
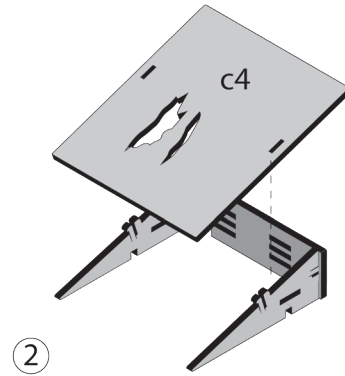
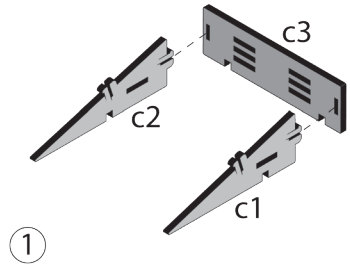
5



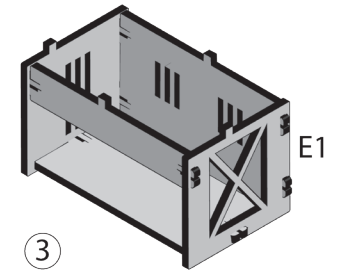
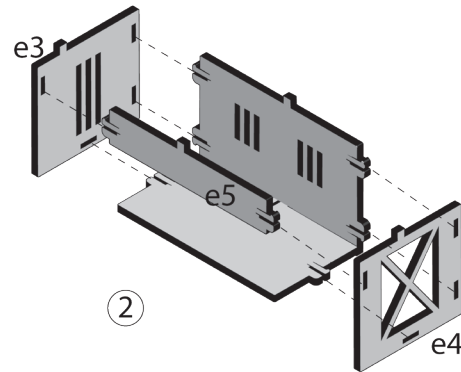
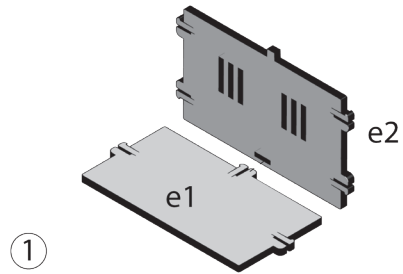
7



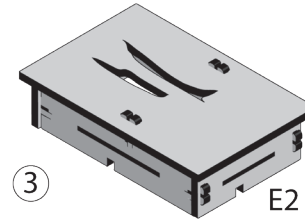
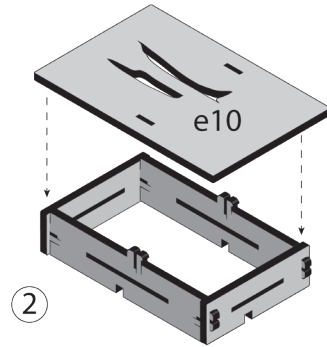
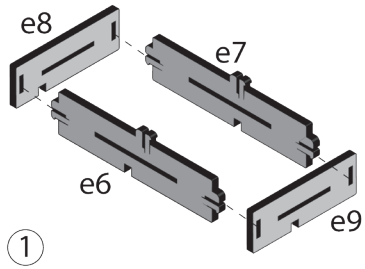
6



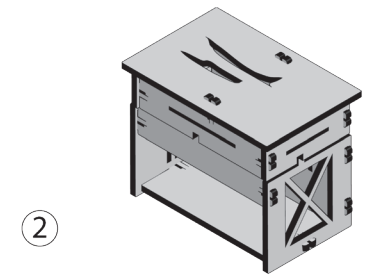
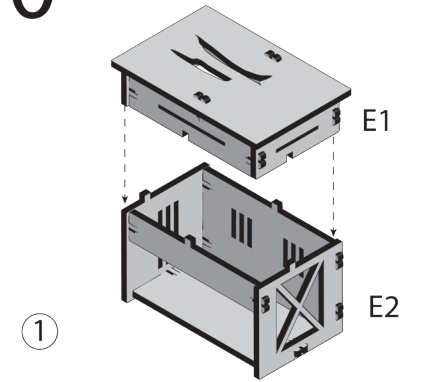
8



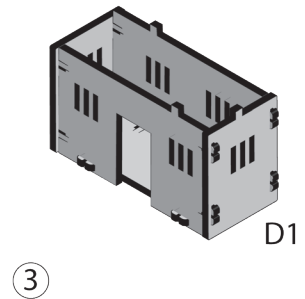
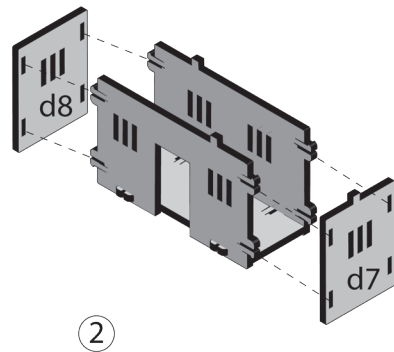
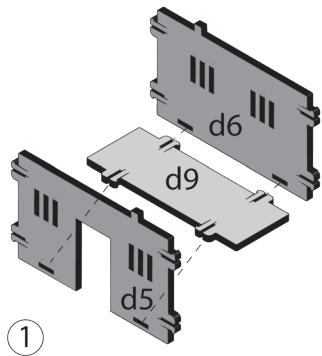
9



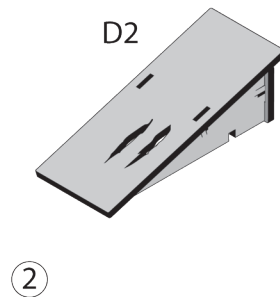
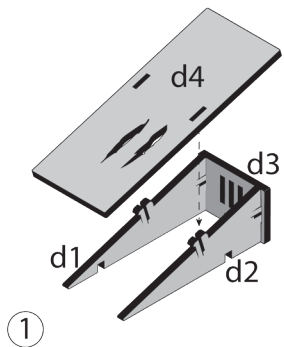
10



11



12



13

